

PRODUCT CATALOGUE

3-PHASE | CONTROL DALI

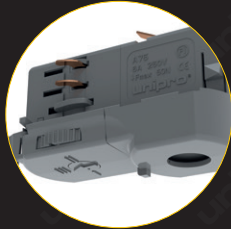
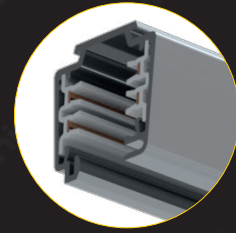


2021

unipro® 3-phase lighting track system

Decide the type

The unipro® lighting tracks are designed for surface and recessed installations. Tracks are compatible with most common adapters. Flat copper conductors provide the best possible electrical contact.

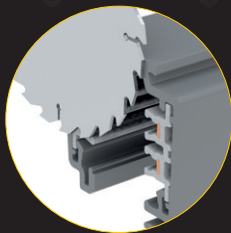
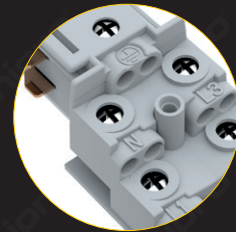


Select the adapter

The unipro® A75 (5 kg) and A90 (10 kg) adapters are compatible with most 3-phase lighting tracks. The A200 Driver adapter family offers the latest technology with the integrated drivers.

Pick the connector

The unipro® connection units have reliable and easy-to-use screw terminals for 2.5mm² solid or braided wires. Power supply options are available on most of the connector pieces, such as MCU, L-corners, T-piece and X-unit.

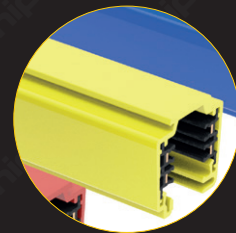


Choose the length

The new standard lengths of the unipro® lighting tracks are 1.2, 2, 2.4, 3 and 4 meters. The tracks can be cut to the desired length. No copper conductor bending is required pre-installation.

Get your colour

Available colours are standard, matte and any RAL Classic colours. More options available by special order.

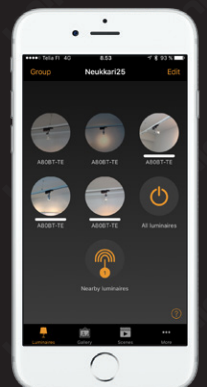


Smart lighting system

The unipro® A80BT bluetooth control unit enables wireless control of the lighting with your smart device. The Casambi application can be downloaded for iOS and Android from the application store.

- No need to replace existing light switches
- Turn luminaires on and off
- Dim the lighting
- Adjust color temperature and light color
- Grouping of luminaires - also with scene photo
- Lighting scenes and animations
- Light and motion sensor
- Scheduling by calendar, clock, and daylight
- Remote control, Bluetooth Low Energy

CASAMBI



unipro® Control-DALI lighting track system



Almost limitless possibilities

- Standardized system
- Improves shopping experience and comfort
- Incorporates into building systems
- Endless architectural possibilities
- Energy saving and energy consumption monitoring
- Cost-effective and low maintenance cost
- Less components
- Bidirectional communication
- Flexible in planning and use
- Easy configuration and modification
- Excellent electromagnetic immunity

Control DALI

DALI = Digital Addressable Lighting Interface

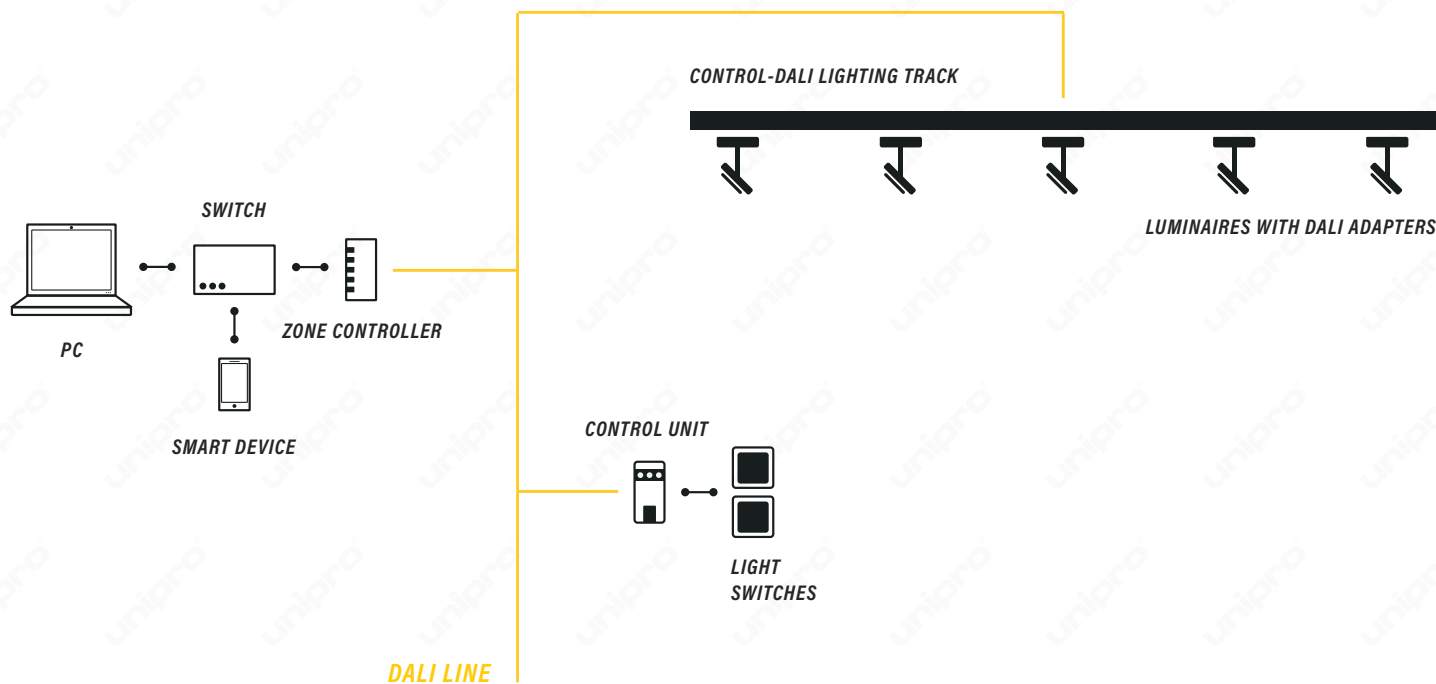
Lighting network for centralised control

Enables control of DALI devices in unipro track system.

Supports the standard for digital communication between devices

Created with consideration to 'future-proofing'

Halogen and PVC free



Making your lights shine

The unipro® lighting track system is a great choice for offices, shopping centers, shops, museums, gyms and restaurants - only your imagination is the limit.

unipro® is the word for high quality products, modern design and smooth installation. Our lighting track system offers flexibility in designing advanced lighting systems.

The unipro® lighting track system includes surface and recessed 3-phase and Control-DALI lighting tracks, adapters and a wide range of mounting accessories.

Universal and modular design is easy to expand and adapt to the customer's wishes and requirements.

L-corners are adjustable and reversible with changeable earthing for fast and easy installation.

In fire-safety situations halogen-free lighting track parts will not release any flammable gases harmful for health. It is advisable to use halogen free products especially in premises full of people and challenging evacuation conditions.

making
your
lights
shine

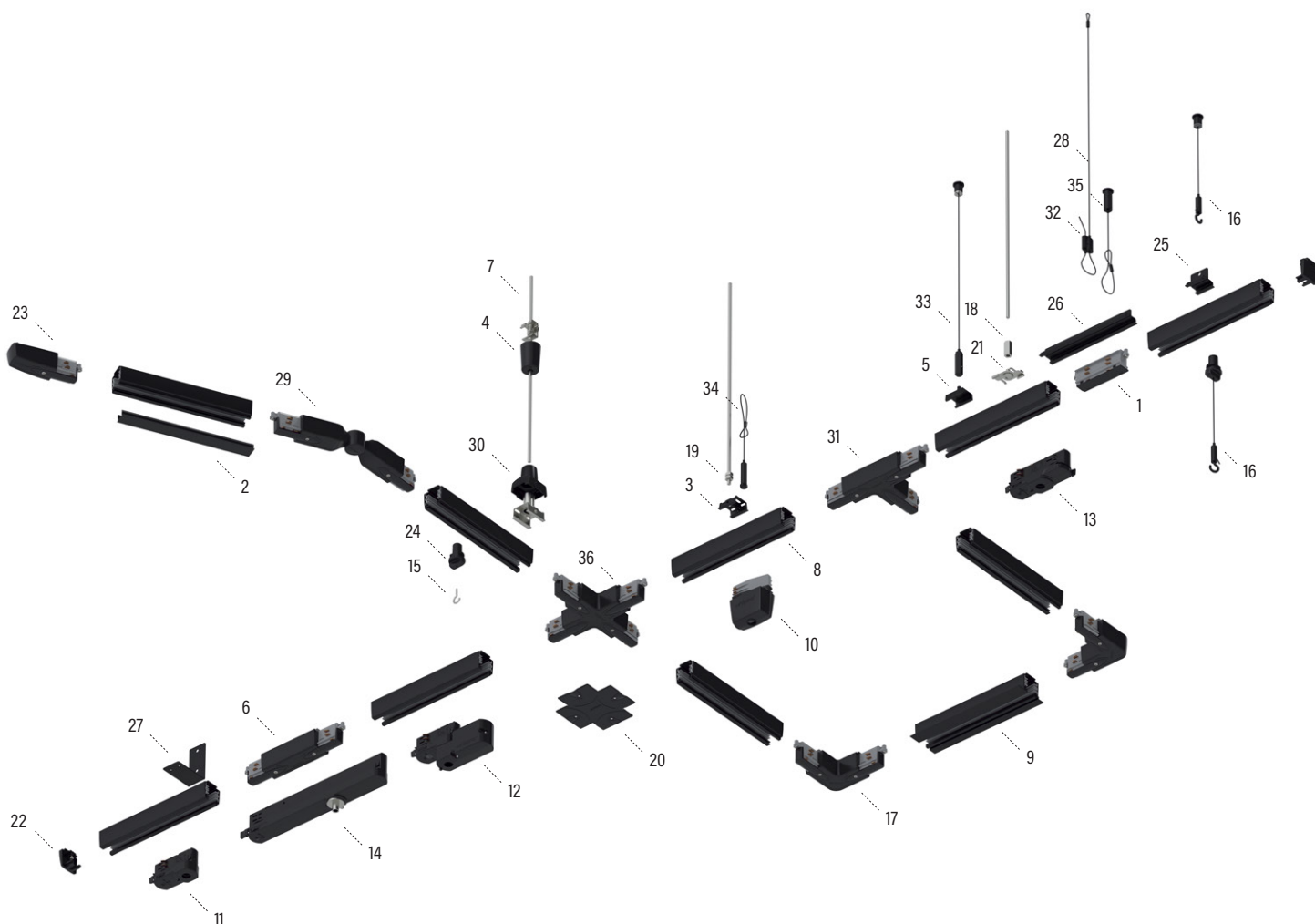


New track lengths and colours available now

UNIPRO is now changing the standards and taking variety to the next level. The UNIPRO collection contains new track lengths of 1.2 and 2.4 meters. These new lengths are available in standard, matte and any RAL Classic colours, all without additional cost. UNIPRO's extensive colour range gives designers and architects more potential and capability to create different lighting environments. Shorter track lengths can also improve transportation and installation cost-management.

Our new options truly give UNIPRO customers more choice for their projects.

1.2 m	Black, White, Grey Black Matte, White Matte, Grey Matte RAL Classic colours
2.4 m	Black, White, Grey Black Matte, White Matte, Grey Matte RAL Classic colours

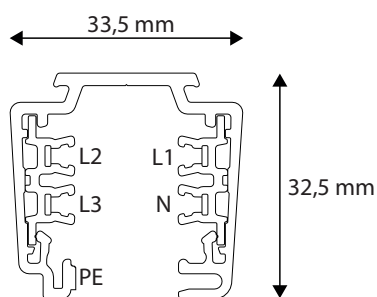
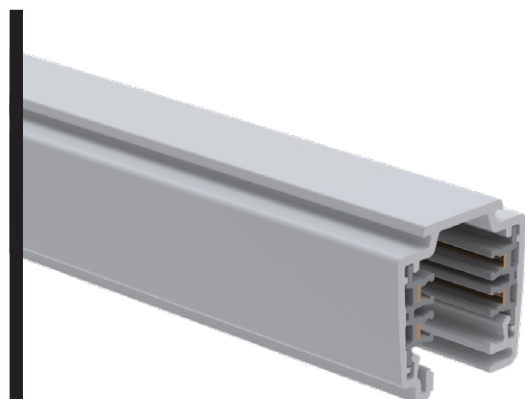


NO.	TYPE	ITEM	PAGE
1	Jointing unit	UNIPRO JU3	8
2	Cover strip L=2m	UNIPRO CS3B	8
3	Ceiling bracket	UNIPRO CB3B	22
4	Ceiling bracket with cup	UNIPRO CBC B	23
5	Quick ceiling bracket	UNIPRO QCB B	22
6	Middle connection unit	UNIPRO MCU3B	9
7	Threaded rod M6 L=1m	GT-6 L=1000 EG	26
8	3-phase lighting track	UNIPRO T32B	6
9	3-phase lighting track, recessed	UNIPRO T32FB	7
10	Power outlet adapter	UNIPRO A100B	19
11	Luminaire adapter	UNIPRO A75B	18
12	Bluetooth control unit	UNIPRO A80BT B	19
13	Luminaire adapter	UNIPRO A90B	18
14	In-Track Driver adapter	UNIPRO A203B	19
15	Suspension hook	UNIPRO SH	26
16	Adjustable wire suspension set with hook	UNIPRO WS40H	24
17	L-corner	UNIPRO LC3B	9
18	Extension nut for threaded rod M6	JM M6 EG	26

NO.	TYPE	ITEM	PAGE
19	Nut for threaded rod M6	MU M6 EG	26
20	Cover plate	UNIPRO CP3B	8
21	Quick connector	UNIPRO QC3G	22
22	End cap	UNIPRO EC3B	8
23	Connection unit	UNIPRO CU3AB	9
24	Suspension clamp	UNIPRO SC3B	23
25	Pendant bracket	UNIPRO PB B	22
26	Pendant coupler	UNIPRO PC B	23
27	Wall bracket	UNIPRO WB B	23
28	Ø1,5 mm wire with loop	UNIPRO WL40 B	25
29	Adjustable corner	UNIPRO ALC3B	10
30	Adjustable pendant bracket	UNIPRO PBA B	23
31	T-piece	UNIPRO TA3AB	10
32	Adjustable wire gripper	UNIPRO WG B	25
33	Adjustable wire suspension set	UNIPRO WS40 B	24
34	Adjustable wire set with loop wire	UNIPRO WS40L B	24
35	Adjustable wire set with loop wire	UNIPRO WSL40 B	24
36	X-piece	UNIPRO XA3B	10

UNIPRO LIGHTING TRACK FOR SURFACE INSTALLATION

16 A | 250/400 VAC | 50 Hz | CLASS I IP20

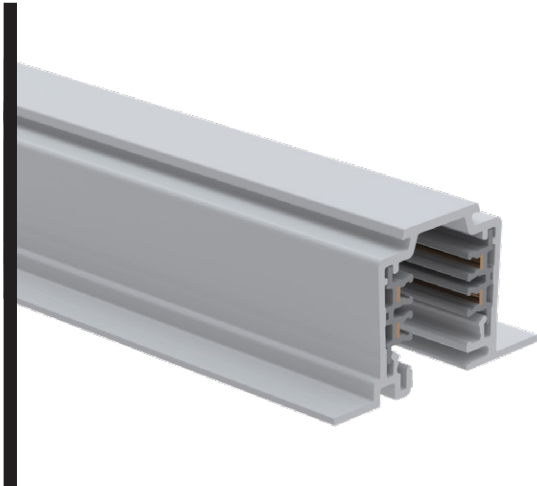


CODE	PRODUCT x = stock product	WGT. kg / kpl	LENGTH mm	COLOUR	PACKAGE
1459160	x UNIPRO T312W	0.94	1200	White	10 PCE / 12 MTR
1459102	x UNIPRO T32W	1.567	2000	White	10 PCE / 20 MTR
1459292	x UNIPRO T324W	1.88	2400	White	10 PCE / 24 MTR
1459103	x UNIPRO T33W	2.348	3000	White	10 PCE / 30 MTR
1459104	x UNIPRO T34W	3.11	4000	White	10 PCE / 40 MTR
1459169	x UNIPRO T312MW	0.94	1200	White, matte	10 PCE / 12 MTR
1459192	x UNIPRO T324MW	1.88	2400	White, matte	10 PCE / 24 MTR
1459166	x UNIPRO T312G	0.94	1200	Grey	10 PCE / 12 MTR
1459232	x UNIPRO T32G	1.567	2000	Grey	10 PCE / 20 MTR
1459293	x UNIPRO T324G	1.88	2400	Grey	10 PCE / 24 MTR
1459233	x UNIPRO T33G	2.348	3000	Grey	10 PCE / 30 MTR
1459234	x UNIPRO T34G	3.11	4000	Grey	10 PCE / 40 MTR
1459170	x UNIPRO T312MG	0.94	1200	Grey, matte	10 PCE / 12 MTR
1459194	x UNIPRO T324MG	1.88	2400	Grey, matte	10 PCE / 24 MTR
1459159	x UNIPRO T312B	0.94	1200	Black	10 PCE / 12 MTR
1459302	x UNIPRO T32B	1.567	2000	Black	10 PCE / 20 MTR
1459180	x UNIPRO T324B	1.88	2400	Black	10 PCE / 24 MTR
1459303	x UNIPRO T33B	2.348	3000	Black	10 PCE / 30 MTR
1459304	x UNIPRO T34B	3.11	4000	Black	10 PCE / 40 MTR
1459175	x UNIPRO T312MB	0.94	1200	Black, matte	10 PCE / 12 MTR
1459195	x UNIPRO T324MB	1.88	2400	Black, matte	10 PCE / 24 MTR
1459168	UNIPRO T312AD	0.94	1200	Grey	10 PCE / 12 MTR
1459185	UNIPRO T324AD	1.88	2400	Grey	10 PCE / 24 MTR

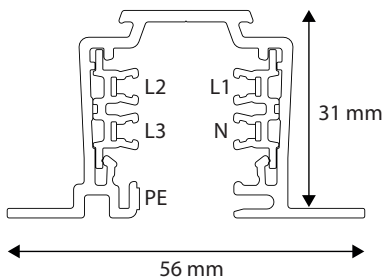
CODE	PRODUCT x = stock product	WGT. kg / kpl	LENGTH mm	COLOUR	PACKAGE
1459165	UNIPRO T312S	0.94	1200		10 PCE / 12 MTR
1459186	UNIPRO T324S	1.88	2400		10 PCE / 24 MTR
1459176	UNIPRO T312MS	0.94	1200		10 PCE / 12 MTR
1459193	UNIPRO T324MS	1.88	2400		10 PCE / 24 MTR

RECESSED UNIPRO LIGHTING TRACK

16 A | 250/400 VAC | 50 Hz | CLASS 1 IP20

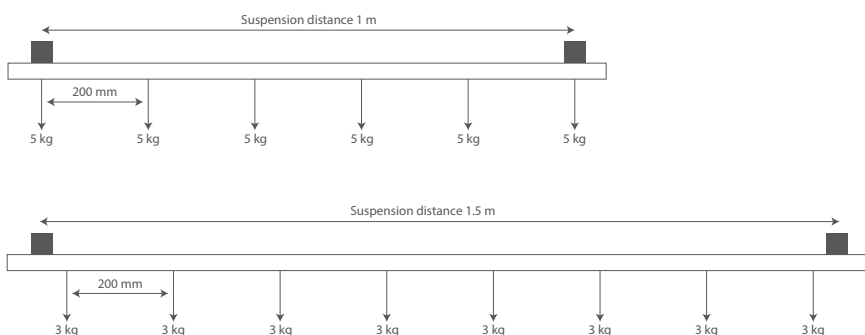


CODE	PRODUCT <small>x = stock product</small>	WGT. kg / kpl	LENGTH mm	COLOUR	PACKAGE
1459112	UNIPRO T32FW	1.785	2000	White	1 PCE / 2 MTR
1459113	UNIPRO T33FW	2.721	3000	White	1 PCE / 3 MTR
1459114	UNIPRO T34FW	3.569	4000	White	1 PCE / 4 MTR
1459182	UNIPRO T32FG	1.785	2000	Grey	1 PCE / 2 MTR
1459183	UNIPRO T33FG	2.721	3000	Grey	1 PCE / 3 MTR
1459184	UNIPRO T34FG	3.569	4000	Grey	1 PCE / 4 MTR
1459312	UNIPRO T32FB	1.785	2000	Black	1 PCE / 2 MTR
1459313	UNIPRO T33FB	2.721	3000	Black	1 PCE / 3 MTR
1459314	UNIPRO T34FB	3.569	4000	Black	1 PCE / 4 MTR
1459206	UNIPRO T312FAD	1.071	1200	Grey	1 PCE / 1.2 MTR
1459227	UNIPRO T324FAD	2.142	2400	Grey	1 PCE / 2.4 MTR



unipro® T3 lighting tracks

Materials	<p>The lighting track frame is made of aluminium and the insulation is made of plastic. The phase and neutral wires are made of 2.5mm² rectangular copper, protective earthing is achieved with the lighting track's aluminium frame.</p> <p>Surface treatment options are painted white (RAL9010), grey (RAL7040), black (RAL9005) and anodised natural colour. Other RAL Classic paint colours and Decoral® coatings are possible with custom orders.</p>
Wires	Three phase wires (L1, L2 and L3), neutral wire (N) and protective earthing (PE).
Protection class	Protection class 1 IP20
Quality and safety	Tested in compliance with EN60570 and EN60598.
Other	Can be cut to the appropriate length on site. Copper wires do not need to be bent or otherwise worked on after cutting.



END CAP EC3

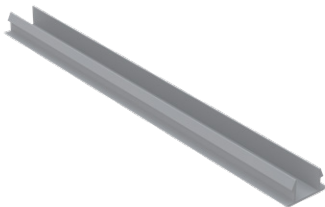
End cap for 3-phase lighting tracks.



CODE	PRODUCT x = stock product	WGT. kg / kpl	COLOUR	PACKAGE
1459181	x UNIPRO EC3W	0.006	White	10 PCE / 1 BG
1459281	x UNIPRO EC3G	0.006	Grey	10 PCE / 1 BG
1459381	x UNIPRO EC3B	0.006	Black	10 PCE / 1 BG

COVER STRIP L=2M CS3

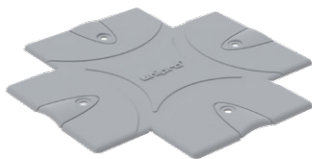
Cover strip for 3-phase and Control-DALI lighting tracks. Length 2m.



CODE	PRODUCT x = stock product	WGT. kg / kpl	COLOUR	PACKAGE
1459444	x UNIPRO CS3W	0.125	White	8 PCE / 16 MTR
1459445	x UNIPRO CS3B	0.125	Black	8 PCE / 16 MTR

COVER PLATE CP3

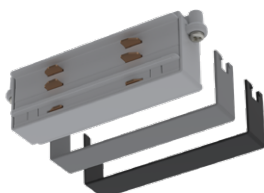
Cover plate for recessed lighting track systems, to cover the CU and MCU connection units as well as the L-, T- and X-pieces. Can be folded to the suitable shape during installation.



CODE	PRODUCT x = stock product	WGT. kg / kpl	COLOUR	PACKAGE
1459191	x UNIPRO CP3W	0.017	White	10 PCE / 1 BG
1459291	x UNIPRO CP3G	0.017	Grey	10 PCE / 1 BG
1459391	x UNIPRO CP3B	0.017	Black	10 PCE / 1 BG

JOINTING UNIT JU3

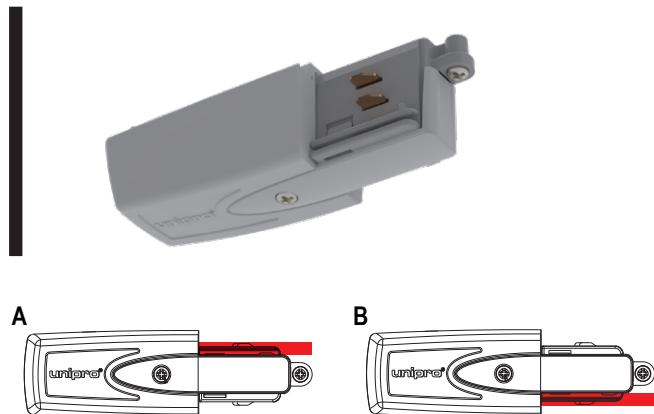
Jointing unit for 3-phase lighting tracks. Product comes with grey and black covers. A cover can be installed by pressing it on top of the jointing unit.



CODE	PRODUCT x = stock product	WGT. kg / kpl	PACKAGE
1459199	x UNIPRO JU3	0.043	1 PCE

CONNECTION UNIT CU3

Power supply option for 3-phase lighting track systems. Two earthing options. Screw terminals for 3x1.5mm² - 5x2.5mm² wires.



Please note! Earthing pictures taken from below.

CODE	PRODUCT x = stock product	WGT. kg / kpl	COLOUR	PACKAGE
1459121	x UNIPRO CU3AW	0.058	White	1 PCE
1459221	x UNIPRO CU3AG	0.058	Grey	1 PCE
1459321	x UNIPRO CU3AB	0.058	Black	1 PCE
1459122	x UNIPRO CU3BW	0.058	White	1 PCE
1459222	x UNIPRO CU3BG	0.058	Grey	1 PCE
1459322	x UNIPRO CU3BB	0.058	Black	1 PCE

MIDDLE CONNECTION UNIT MCU3

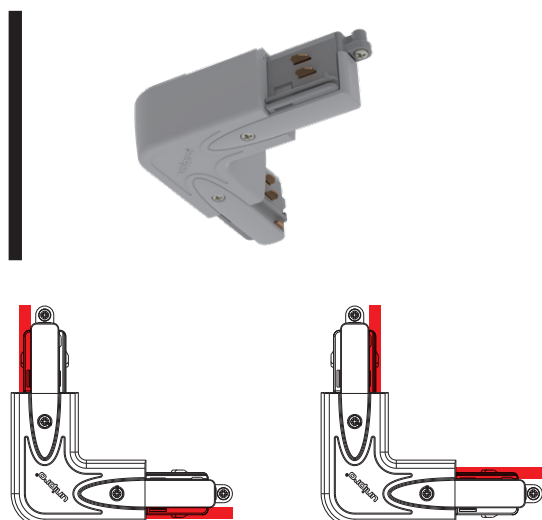
Power supply option for 3-phase lighting track systems. Screw terminals for 3x1.5mm² - 5x2.5mm² wires.



CODE	PRODUCT x = stock product	WGT. kg / kpl	COLOUR	PACKAGE
1459131	x UNIPRO MCU3W	0.104	White	1 PCE
1459231	x UNIPRO MCU3G	0.104	Grey	1 PCE
1459331	x UNIPRO MCU3B	0.104	Black	1 PCE

L-CORNER LC3

Power supply option for 3-phase lighting track systems. Changeable earthing line position. Screw terminals for 3x1.5mm² - 5x2.5mm² wires.

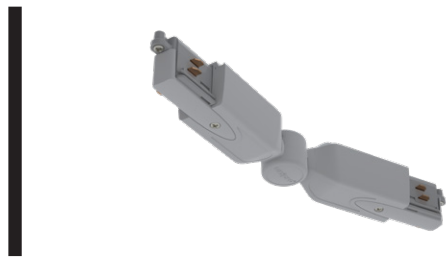


Please note! Earthing pictures taken from below.

CODE	PRODUCT x = stock product	WGT. kg / kpl	COLOUR	PACKAGE
1459141	x UNIPRO LC3W	0.105	White	1 PCE
1459241	x UNIPRO LC3G	0.105	Grey	1 PCE
1459341	x UNIPRO LC3B	0.105	Black	1 PCE

ADJUSTABLE CORNER ALC3

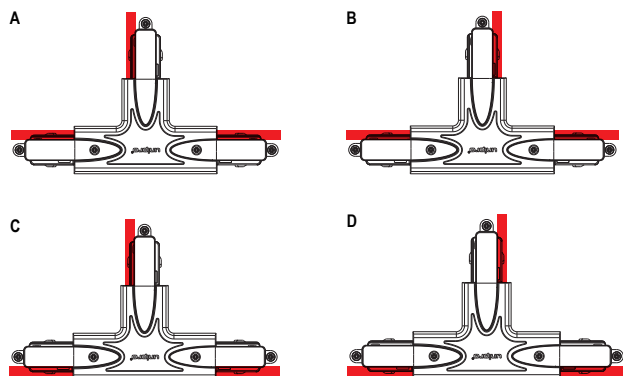
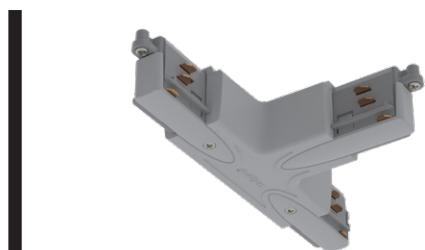
Horizontal adjustment range $0 \pm 120^\circ$.



CODE	PRODUCT x = stock product	WGT. kg / kpl	COLOUR	PACKAGE
1459151	x UNIPRO ALC3W	0.13	White	1 PCE
1459251	x UNIPRO ALC3G	0.13	Grey	1 PCE
1459351	x UNIPRO ALC3B	0.13	Black	1 PCE

T-PIECE TA3

Power supply option for 3-phase lighting track systems. Four earthing options.
Screw terminals for $3 \times 1.5\text{mm}^2$ - $5 \times 2.5\text{mm}^2$ wires.



Please note! Earthing pictures taken from below.

CODE	PRODUCT x = stock product	WGT. kg / kpl	COLOUR	PACKAGE
1459161	x UNIPRO TA3AW	0.15	White	1 PCE
1459261	x UNIPRO TA3AG	0.15	Grey	1 PCE
1459361	x UNIPRO TA3AB	0.15	Black	1 PCE

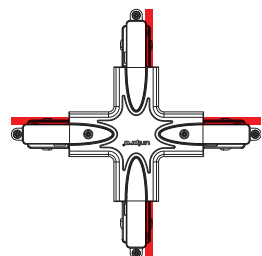
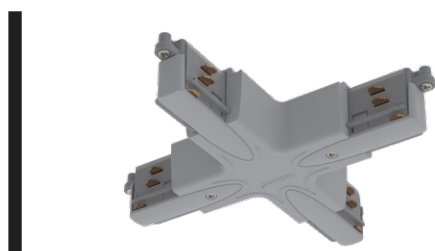
1459162	x UNIPRO TA3BW	0.15	White	1 PCE
1459262	x UNIPRO TA3BG	0.15	Grey	1 PCE
1459362	x UNIPRO TA3BB	0.15	Black	1 PCE

1459163	x UNIPRO TA3CW	0.15	White	1 PCE
1459263	x UNIPRO TA3CG	0.15	Grey	1 PCE
1459363	x UNIPRO TA3CB	0.15	Black	1 PCE

1459164	x UNIPRO TA3DW	0.15	White	1 PCE
1459264	x UNIPRO TA3DG	0.15	Grey	1 PCE
1459364	x UNIPRO TA3DB	0.15	Black	1 PCE

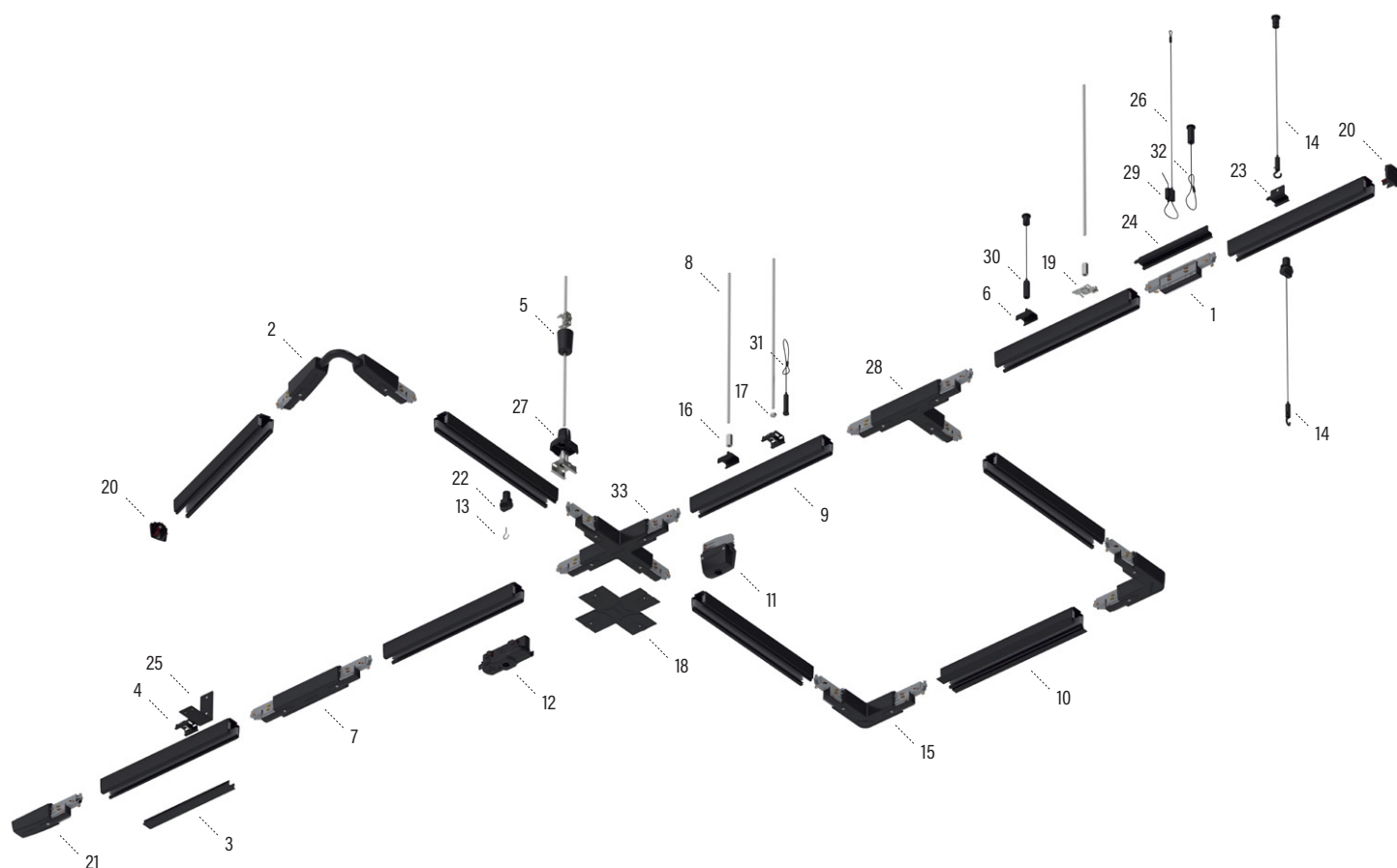
X-PIECE XA3

Power supply option for 3-phase lighting track systems. Screw terminals for $3 \times 1.5\text{mm}^2$ - $5 \times 2.5\text{mm}^2$ wires.



CODE	PRODUCT x = stock product	WGT. kg / kpl	COLOUR	PACKAGE
1459171	x UNIPRO XA3W	0.196	White	1 PCE
1459271	x UNIPRO XA3G	0.196	Grey	1 PCE
1459371	x UNIPRO XA3B	0.196	Black	1 PCE

Huom: Maadoituskuvat on kuvattuna alhaalta päin.

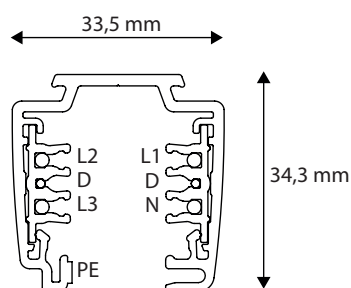
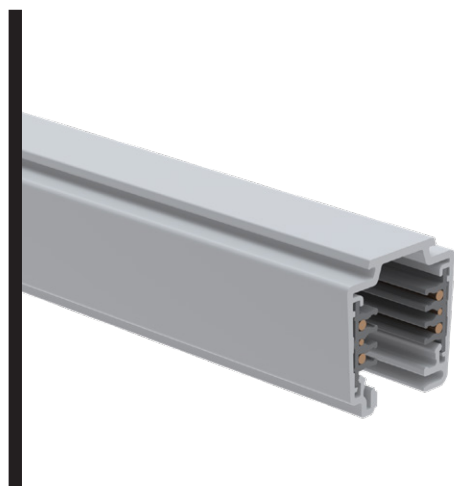


NO.	TYPE	ITEM	PAGE
1	Control-DALI Jointing unit	UNIPRO CJU3	15
2	Control-DALI Adjustable corner	UNIPRO CFC3 B	15
3	Cover strip L=2m	UNIPRO CS3B	8
4	Ceiling bracket	UNIPRO CB3B	22
5	Ceiling bracket with cup	UNIPRO CBC B	23
6	Quick ceiling bracket	UNIPRO QCB B	22
7	Control-DALI Middle connection unit	UNIPRO CMCU3B	15
8	Threaded rod M6 L=1m	GT-6 L=1000 EG	26
9	Control-DALI lighting track	UNIPRO TC32B	12
10	Control-DALI lighting track, recessed	UNIPRO TC32FB	13
11	Power outlet adapter	UNIPRO A100B	19
12	Control-DALI Luminaire adapter	UNIPRO A90CB	18
13	Suspension hook	UNIPRO SH	26
14	Adjustable wire suspension set with hook	UNIPRO WS40H	24
15	Control-DALI L-corner	UNIPRO CLC3B	16
16	Extension nut for threaded rod M6	JM M6 EG	26
17	Nut for threaded rod M6	MU M6 EG	26

NO.	TYPE	ITEM	PAGE
18	Control-DALI Cover plate	UNIPRO CCP3 B	14
19	Quick connector	UNIPRO QC3G	22
20	Control-DALI End cap	UNIPRO CEC3B	14
21	Control-DALI Connection unit	UNIPRO CCU3AB	15
22	Suspension clamp	UNIPRO SC3B	23
23	Pendant bracket	UNIPRO PB B	22
24	Pendant coupler	UNIPRO PC B	23
25	Wall bracket	UNIPRO WB B	23
26	Ø1,5 mm wire with loop	UNIPRO WL40 B	25
27	Adjustable pendant bracket	UNIPRO PBA B	23
28	Control-DALI T-piece	UNIPRO CTA3AB	16
29	Adjustable wire gripper	UNIPRO WG B	25
30	Adjustable wire suspension set	UNIPRO WS40 B	24
31	Adjustable wire set with loop wire	UNIPRO WS40L B	24
32	Adjustable wire set with loop wire	UNIPRO WSL40 B	24
33	Control-DALI X-piece	UNIPRO CXA3B	17

CONTROL-DALI LIGHTING TRACK FOR SURFACE INSTALLATION

Control-DALI lighting track for surface installation. 16 A, (250/400) VAC, 50 Hz, FELV ≤ 50VAC ≤ 1A, CLASS 1 IP20.
Free of halogens and PVCs.

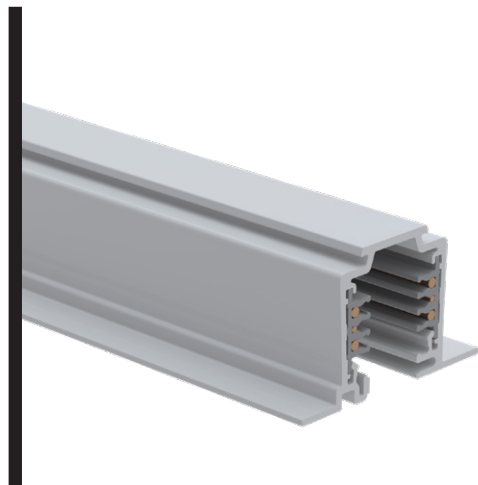


CODE	PRODUCT x = stock product	WGT. kg / kpl	LENGTH mm	COLOUR	PACKAGE
1459243	x UNIPRO TC312W	1.075	1200	White	10 PCE / 12 MTR
1459107	x UNIPRO TC32W	1.792	2000	White	10 PCE / 20 MTR
1459253	x UNIPRO TC324W	2.15	2400	White	10 PCE / 24 MTR
1459108	x UNIPRO TC33W	2.763	3000	White	10 PCE / 30 MTR
1459109	x UNIPRO TC34W	3.684	4000	White	10 PCE / 40 MTR
1459248	x UNIPRO TC312MW	1.075	1200	White, matte	10 PCE / 12 MTR
1459266	x UNIPRO TC324MW	2.15	2400	White, matte	10 PCE / 24 MTR
1459294	x UNIPRO TC312G	1.075	1200	Grey	10 PCE / 24 MTR
1459237	x UNIPRO TC32G	1.792	2000	Grey	10 PCE / 20 MTR
1459254	x UNIPRO TC324G	2.15	2400	Grey	10 PCE / 24 MTR
1459238	x UNIPRO TC33G	2.763	3000	Grey	10 PCE / 30 MTR
1459239	x UNIPRO TC34G	3.684	4000	Grey	10 PCE / 40 MTR
1459249	x UNIPRO TC312MG	1.075	1200	Grey, matte	10 PCE / 12 MTR
1459267	x UNIPRO TC324MG	2.15	2400	Grey, matte	10 PCE / 24 MTR
1459242	x UNIPRO TC312B	1.075	1200	Black	10 PCE / 12 MTR
1459307	x UNIPRO TC32B	1.792	2000	Black	10 PCE / 20 MTR
1459250	x UNIPRO TC324B	2.15	2400	Black	10 PCE / 24 MTR
1459308	x UNIPRO TC33B	2.763	3000	Black	10 PCE / 30 MTR
1459309	x UNIPRO TC34B	3.684	4000	Black	10 PCE / 40 MTR
1459247	x UNIPRO TC312MB	1.075	1200	Black, matte	10 PCE / 12 MTR
1459260	x UNIPRO TC324MB	2.15	2400	Black, matte	10 PCE / 24 MTR
1459244	UNIPRO TC312AD	1.075	1200	Grey	10 PCE / 12 MTR
1459265	UNIPRO TC324AD	2.15	2400	Grey	10 PCE / 24 MTR

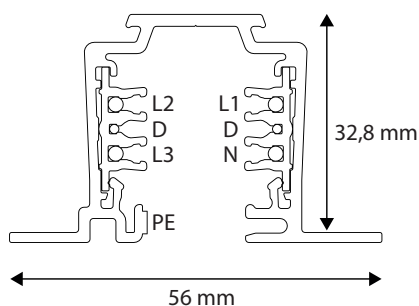
CODE	PRODUCT x = stock product	WGT. kg / kpl	LENGTH mm	COLOUR	PACKAGE
1459246	UNIPRO TC312S	1.075	1200		10 PCE / 12 MTR
1459259	UNIPRO TC324S	2.15	2400		10 PCE / 24 MTR
1459252	UNIPRO TC312MS	1.075	1200		10 PCE / 12 MTR
1459268	UNIPRO TC324MS	2.15	2400		10 PCE / 24 MTR

RECESSED UNIPRO CONTROL-DALI LIGHTING TRACK

Recessed Control-DALI lighting track. 16 A, (250/400) VAC, 50Hz, FELV ≤ 50VAC ≤ 1A, CLASS 1 IP20.



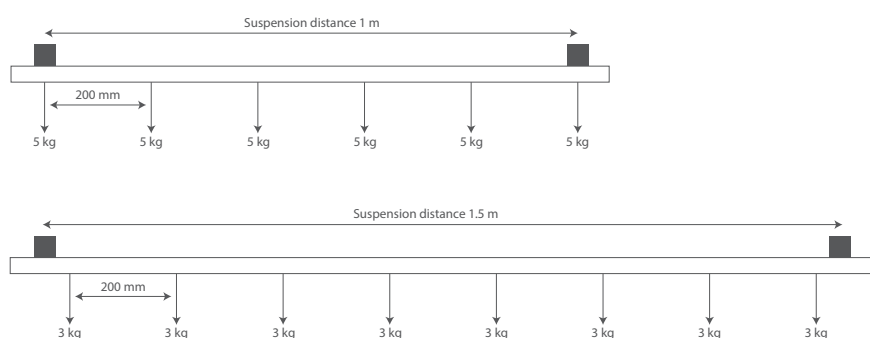
CODE	PRODUCT x = stock product	WGT. kg / kpl	LENGTH mm	COLOUR	PACKAGE
1459117	UNIPRO TC32FW	2.064	2000	White	1 PCE / 2 MTR
1459118	UNIPRO TC33FW	3.171	3000	White	1 PCE / 3 MTR
1459119	UNIPRO TC34FW	4.228	4000	White	1 PCE / 4 MTR
1459187	UNIPRO TC32FG	2.064	2000	Grey	1 PCE / 2 MTR
1459188	UNIPRO TC33FG	3.171	3000	Grey	1 PCE / 3 MTR
1459189	UNIPRO TC34FG	4.228	4000	Grey	1 PCE / 4 MTR
1459317	UNIPRO TC32FB	2.064	2000	Black	1 PCE / 2 MTR
1459318	UNIPRO TC33FB	3.171	3000	Black	1 PCE / 3 MTR
1459319	UNIPRO TC34FB	4.228	4000	Black	1 PCE / 4 MTR
1459273	UNIPRO TC312FAD	1.238	1200	Grey	1 PCE / 1.2 MTR
1459286	UNIPRO TC324FAD	2.477	2400	Grey	1 PCE / 2.4 MTR



unipro[®] Control-DALI TC3 lighting tracks

Control-DALI

Materials	The lighting track frame is made of aluminium and the insulation is made of halogen and PVC-free plastic. The phase and neutral wires are made of 4mm ² round copper, control wires are made of 1.5mm ² round copper. Protective earthing is achieved with the lighting track's aluminium frame. Surface treatment options are painted white (RAL9010), grey (RAL7040), black (RAL9005) and anodised natural colour. Other RAL Classic paint colours and Decoral [®] coatings are possible with custom orders.
Wires	Three phase wires (L1, L2 and L3), neutral wire (N), protective earthing (PE) and data wires (D).
Protection class	Protection class 1 IP20
Quality and safety	Tested in compliance with EN60570 and EN60598.
Other	Can be cut to the appropriate length on site. Phase wires must be shortened by 5mm with TCCP copper cutting pliers.



COPPER CUTTING PLIERS FOR CONTROL-DALI TRACKS TCCP

Control-DALI lighting tracks' L1, L2, L3 and N wires need to be shortened 5mm after cutting the lighting track so that the required electrical and safety clearances and distances are fulfilled.



CODE	PRODUCT x = stock product	WGT. kg / kpl	LENGTH mm	PACKAGE
1459190	x UNIPRO TCCP	0.2	250	1 PCE

CONTROL-DALI END CAP CEC3

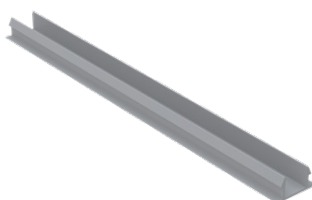
End cap for Control-DALI lighting tracks.



CODE	PRODUCT x = stock product	WGT. kg / kpl	COLOUR	PACKAGE
1459196	x UNIPRO CEC3W	0.006	White	10 PCE / 1 BG
1459285	x UNIPRO CEC3G	0.006	Grey	10 PCE / 1 BG
1459385	x UNIPRO CEC3B	0.006	Black	10 PCE / 1 BG

COVER STRIP L=2M CS3

Cover strip for 3-phase and Control-DALI lighting tracks. Length 2m.



CODE	PRODUCT x = stock product	WGT. kg / kpl	COLOUR	PACKAGE
1459444	x UNIPRO CS3W	0.125	White	8 PCE / 16 MTR
1459445	x UNIPRO CS3B	0.125	Black	8 PCE / 16 MTR

CONTROL-DALI COVER PLATE CCP3

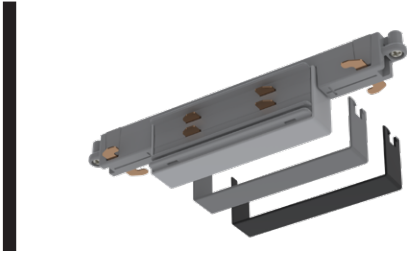
Cover plate for recessed Control-DALI lighting track systems, to cover the CCU and CMCU connection units as well as the L-, T- and X-pieces. Can be folded to the suitable shape during installation.



CODE	PRODUCT x = stock product	WGT. kg / kpl	COLOUR	PACKAGE
1459101	x UNIPRO CCP3 W	0.028	White	10 PCE / 1 BG
1459111	x UNIPRO CCP3 B	0.028	Black	10 PCE / 1 BG
1459120	x UNIPRO CCP3 G	0.028	Grey	10 PCE / 1 BG

CONTROL-DALI JOINTING UNIT CJU3

Jointing unit for Control-DALI lighting track systems. Product comes with grey and black covers. A cover can be installed by pressing it on top of the jointing unit.



CODE	PRODUCT x = stock product	WGT. kg / kpl	PACKAGE
1459198	x UNIPRO CJU3	0.053	1 PCE

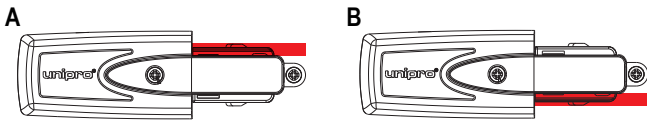
CONTROL-DALI CONNECTION UNIT CCU3

Power supply option for Control-DALI track systems. Two earthing options. Screw terminals for 1.5mm² - 2.5mm² wires.



CODE	PRODUCT x = stock product	WGT. kg / kpl	COLOUR	PACKAGE
1459125	x UNIPRO CCU3AW	0.079	White	1 PCE
1459225	x UNIPRO CCU3AG	0.079	Grey	1 PCE
1459325	x UNIPRO CCU3AB	0.079	Black	1 PCE

1459126	x UNIPRO CCU3BW	0.079	White	1 PCE
1459226	x UNIPRO CCU3BG	0.079	Grey	1 PCE
1459326	x UNIPRO CCU3BB	0.079	Black	1 PCE



Please note! Earthing pictures taken from below.

CONTROL-DALI MIDDLE CONNECTION UNIT CMCU3

Power supply option for Control-DALI track systems. Screw terminals for 1.5mm² - 2.5mm² wires.



CODE	PRODUCT x = stock product	WGT. kg / kpl	COLOUR	PACKAGE
1459129	x UNIPRO CMCU3W	0.159	White	1 PCE
1459228	x UNIPRO CMCU3G	0.159	Grey	1 PCE
1459335	x UNIPRO CMCU3B	0.159	Black	1 PCE

CONTROL-DALI ADJUSTABLE CORNER CFC

Power supply option for Control-DALI track systems. Screw terminals for 1.5mm² - 2.5mm² wires.



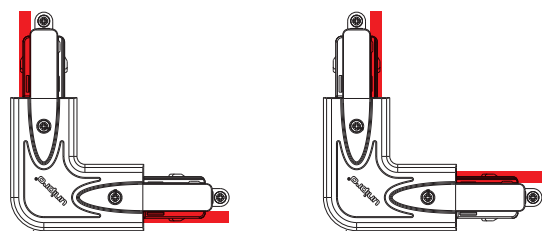
CODE	PRODUCT x = stock product	WGT. kg / kpl	COLOUR	PACKAGE
1459154	x UNIPRO CFC3 W	0.2	White	1 PCE
1459152	x UNIPRO CFC3 B	0.2	Black	1 PCE

CONTROL-DALI L-CORNER CLC3

Power supply option for Control-DALI track systems. Changeable earthing line position.
Screw terminals for 1.5mm² - 2.5mm² wires.



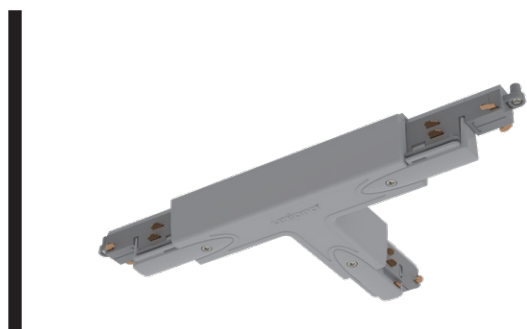
CODE	PRODUCT x = stock product	WGT. kg / kpl	COLOUR	PACKAGE
1459153	x UNIPRO CLC3W	0.158	White	1 PCE
1459245	x UNIPRO CLC3G	0.158	Grey	1 PCE
1459345	x UNIPRO CLC3B	0.158	Black	1 PCE



Please note! Earthing pictures taken from below.

CONTROL-DALI T-PIECE CTA3

Power supply option for Control-DALI track systems. Four earthing options.
Screw terminals for 1.5mm² - 2.5mm² wires.

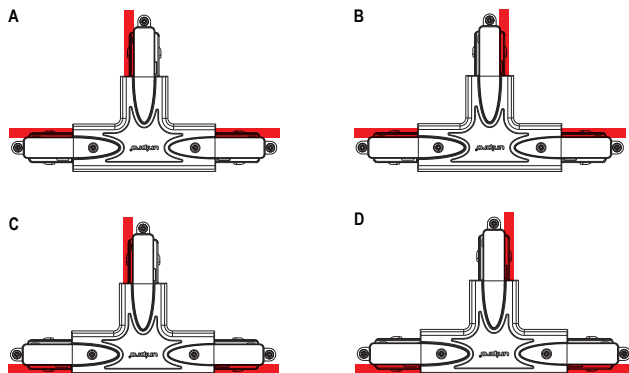


CODE	PRODUCT x = stock product	WGT. kg / kpl	COLOUR	PACKAGE
1459155	x UNIPRO CTA3AW	0.24	White	1 PCE
1459255	x UNIPRO CTA3AG	0.24	Grey	1 PCE
1459355	x UNIPRO CTA3AB	0.24	Black	1 PCE

1459156	x UNIPRO CTA3BW	0.24	White	1 PCE
1459256	x UNIPRO CTA3BG	0.24	Grey	1 PCE
1459356	x UNIPRO CTA3BB	0.24	Black	1 PCE

1459157	x UNIPRO CTA3CW	0.24	White	1 PCE
1459257	x UNIPRO CTA3CG	0.24	Grey	1 PCE
1459357	x UNIPRO CTA3CB	0.24	Black	1 PCE

1459158	x UNIPRO CTA3DW	0.24	White	1 PCE
1459258	x UNIPRO CTA3DG	0.24	Grey	1 PCE
1459358	x UNIPRO CTA3DB	0.24	Black	1 PCE

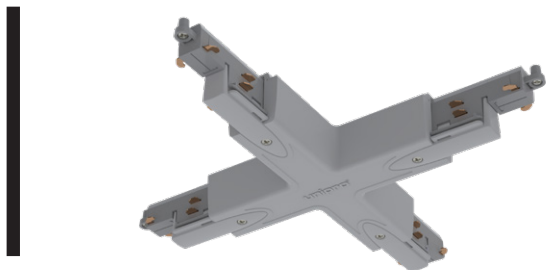


Please note! Earthing pictures taken from below.

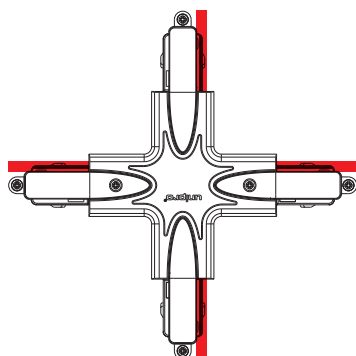
CONTROL-DALI X-PIECE CXA3

Power supply option for Control-DALI track systems. Screw terminals for 1.5mm² - 2.5mm² wires.

unipro®



CODE	PRODUCT x = stock product	WGT. kg / kpl	COLOUR	PACKAGE
1459167	x UNIPRO CXA3W	0.323	White	1 PCE
1459275	x UNIPRO CXA3G	0.323	Grey	1 PCE
1459375	x UNIPRO CXA3B	0.323	Black	1 PCE



Please note! Earthing picture taken from below.



LUMINAIRE ADAPTER A75

Rated values for 3-phase lighting track system: 6A, 250V | Pull strength 5kg, with L70 locking lever 7kg.



CODE	PRODUCT x = stock product	WGT. kg / kpl	COLOUR	PACKAGE
1459014	x UNIPRO A75W	0.034	White	1 PCE
1459016	x UNIPRO A75G	0.034	Grey	1 PCE
1459015	x UNIPRO A75B	0.034	Black	1 PCE

LUMINAIRE ADAPTER A90

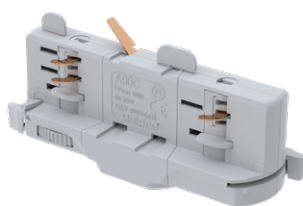
Rated values for 3-phase lighting track system: 6A, 250V | Pull strength 10kg.



CODE	PRODUCT x = stock product	WGT. kg / kpl	COLOUR	PACKAGE
1459029	x UNIPRO A90W	0.047	White	1 PCE
1459031	x UNIPRO A90G	0.047	Grey	1 PCE
1459030	x UNIPRO A90B	0.047	Black	1 PCE

CONTROL-DALI LUMINAIRE ADAPTER A90C

Rated values for Control-DALI system: 6A, 250V | FELV ≤50VAC ≤1A | Pull strength 10kg.



CODE	PRODUCT x = stock product	WGT. kg / kpl	COLOUR	PACKAGE
1459026	x UNIPRO A90CW	0.047	White	1 PCE
1459028	x UNIPRO A90CG	0.047	Grey	1 PCE
1459027	x UNIPRO A90CB	0.047	Black	1 PCE

IN-TRACK DRIVER ADAPTER A202

28 W, length 270 mm, for 3-phase lighting track systems



CODE	PRODUCT x = stock product	WGT. kg / kpl	COLOUR	PACKAGE
1459116	x UNIPRO A202W	0.07	White	1 PCE
1459124	x UNIPRO A202G	0.07	Grey	1 PCE
1459123	x UNIPRO A202B	0.07	Black	1 PCE

IN-TRACK DRIVER ADAPTER A203

34 W, length 270 mm, for 3-phase lighting track systems



CODE	PRODUCT x = stock product	WGT. kg / kpl	COLOUR	PACKAGE
1459106	x UNIPRO A203W	0.07	White	1 PCE
1459115	x UNIPRO A203G	0.07	Grey	1 PCE
1459110	x UNIPRO A203B	0.07	Black	1 PCE

POWER OUTLET ADAPTER A100

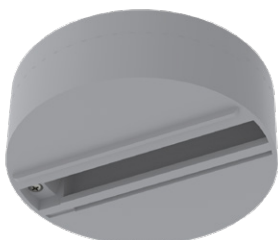
Power supply with 1-or 3-phase power, only compatible with unipro® 3-phase and Control-DALI lighting tracks. Cannot be used on DALI control.



CODE	PRODUCT x = stock product	WGT. kg / kpl	COLOUR	PACKAGE
1459011	x UNIPRO A100W	0.065	White	1 PCE
1459013	x UNIPRO A100G	0.065	Grey	1 PCE
1459012	x UNIPRO A100B	0.065	Black	1 PCE

MONOPOINT FOR ADAPTER A75 MP

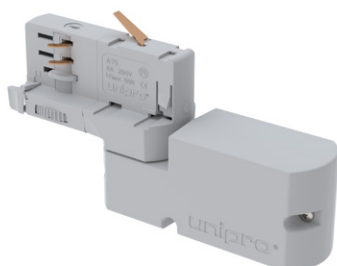
Rated values: 10A, 250V | Pull strength 5kg.



CODE	PRODUCT x = stock product	WGT. kg / kpl	COLOUR	PACKAGE
1459040	x UNIPRO MP W	0.1	White	1 PCE
1459042	x UNIPRO MP G	0.1	Grey	1 PCE
1459041	x UNIPRO MP B	0.1	Black	1 PCE

BLUETOOTH CONTROL UNIT A80

Rated values for 3-phase lighting track system: Pmax=70W, 240V | Pull strength 5kg. A80BT, wireless DALI or 0-10V controller. A80BT-TE, wireless Trailing Edge dimmer.



CODE	PRODUCT x = stock product	WGT. kg / kpl	COLOUR	PACKAGE
1459017	x UNIPRO A80BT W	0.1	White	5 PCE / 1 SET
1459019	x UNIPRO A80BT G	0.1	Grey	5 PCE / 1 SET
1459018	x UNIPRO A80BT B	0.1	Black	5 PCE / 1 SET

CODE	PRODUCT x = stock product	WGT. kg / kpl	COLOUR	PACKAGE
1459020	x UNIPRO A80BT-TE W	0.1	White	5 PCE / 1 SET
1459022	x UNIPRO A80BT-TE G	0.1	Grey	5 PCE / 1 SET
1459021	x UNIPRO A80BT-TE B	0.1	Black	5 PCE / 1 SET

INSTALLATION TOOL T1L

Tool for attaching wires to lighting adapters A75, A90 and A90C.



CODE	PRODUCT x = stock product	WGT. kg / kpl	COLOUR	PACKAGE
1459099	x UNIPRO T1L	0.1	Grey	1 PCE

AL-NIPPLE M10 ALN

Lighting fixture for lighting adapter, M10 thread. Available thread lengths: 8mm and 12mm.



CODE	PRODUCT x = stock product	WGT. kg / kpl	COLOUR	PACKAGE
1459091	x UNIPRO ALN10R8	0.005	Grey	100 PCE / 1 BG
1459092	x UNIPRO ALN10R12	0.006	Grey	100 PCE / 1 BG

COUNTER NUT FOR AL-NIPPLE NM10

M10 locknut for ALN10.



CODE	PRODUCT x = stock product	WGT. kg / kpl	COLOUR	PACKAGE
1459428	x UNIPRO NM10	0.01	Grey	100 PCE / 1 BG

LOCKER FOR LUMINAIRE ADAPTER A75 L70

When locking lever L70 is used, will increase maximum load to 7kg.



CODE	PRODUCT x = stock product	WGT. kg / kpl	COLOUR	PACKAGE
1459004	x UNIPRO L70W	0.01	White	100 PCE / 1 BG
1459006	x UNIPRO L70G	0.01	Grey	100 PCE / 1 BG
1459005	x UNIPRO L70B	0.01	Black	100 PCE / 1 BG

CABLE CLAMP CC70

Strain relief for lighting adapter.



CODE	PRODUCT x = stock product	WGT. kg / kpl	COLOUR	PACKAGE
1459010	x UNIPRO CC70	0.002	Grey	100 PCE / 1 BG



QUICK CEILING BRACKET QCB

Tool-less snap installation to lighting tracks. Can be used with wire suspension set WS or threaded rod GT-6 with extension nut. Pull strength 15kg.



CODE	PRODUCT x = stock product	WGT. kg / kpl	COLOUR	PACKAGE
1459421	x UNIPRO QCB W	0.008	White	10 PCE / 1 BG
1459422	x UNIPRO QCB G	0.008	Grey	10 PCE / 1 BG
1459423	x UNIPRO QCB B	0.008	Black	10 PCE / 1 BG

QUICK CONNECTOR QC3

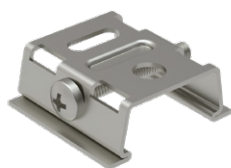
Twist to fasten to lighting track. M6 screw on top, grey, can be used with wire suspension sets, and threaded rods with extension nut. Pull strength 8kg.



CODE	PRODUCT x = stock product	WGT. kg / kpl	COLOUR	PACKAGE
1459100	x UNIPRO QC3G	0.008	Grey	10 PCE / 1 BG

CEILING BRACKET CB3

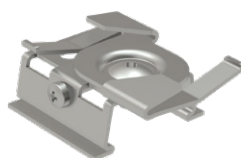
Steel ceiling clamp. Can be attached to wire suspension sets and threaded rods. Pull strength 20kg.



CODE	PRODUCT x = stock product	WGT. kg / kpl	COLOUR	PACKAGE
1459401	x UNIPRO CB3W	0.014	White	10 PCE / 1 BG
1459402	x UNIPRO CB3G	0.014	Grey	10 PCE / 1 BG
1459403	x UNIPRO CB3B	0.014	Black	10 PCE / 1 BG

CEILING BRACKET FOR T-BAR CB3 T-BAR

Steel 24mm T-bar clamp. Pull strength 5kg.



CODE	PRODUCT x = stock product	WGT. kg / kpl	COLOUR	PACKAGE
1459451	x UNIPRO CB3W T-BAR	0.022	White	10 PCE / 1 BG
1459452	x UNIPRO CB3G T-BAR	0.022	Grey	10 PCE / 1 BG
1459453	x UNIPRO CB3B T-BAR	0.022	Black	10 PCE / 1 BG

PENDANT BRACKET PB

Steel pendant bracket. Used with hooked wire suspension set WS40H, or wire set WSL40. Pull strength 20kg.



CODE	PRODUCT x = stock product	WGT. kg / kpl	COLOUR	PACKAGE
1459407	x UNIPRO PB W	0.02	White	10 PCE / 1 BG
1459408	x UNIPRO PB G	0.02	Grey	10 PCE / 1 BG
1459409	x UNIPRO PB B	0.02	Black	10 PCE / 1 BG

PENDANT COUPLER PC

Steel pendant bracket. Used on lighting track joints with hooked wire suspension set WS40H or WSL40.
Pull strength 20kg.



CODE	PRODUCT x = stock product	WGT. kg / kpl	COLOUR	PACKAGE
1459431	x UNIPRO PC W	0.085	White	10 PCE / 1 BG
1459432	x UNIPRO PC G	0.085	Grey	10 PCE / 1 BG
1459433	x UNIPRO PC B	0.085	Black	10 PCE / 1 BG

ADJUSTABLE PENDANT BRACKET PBA

Adjustment range 0-30mm. Attached to threaded rods. Pull strength 20kg.



CODE	PRODUCT x = stock product	WGT. kg / kpl	COLOUR	PACKAGE
1459404	x UNIPRO PBA W	0.035	White	10 PCE / 1 BG
1459405	x UNIPRO PBA G	0.035	Grey	10 PCE / 1 BG
1459406	x UNIPRO PBA B	0.035	Black	10 PCE / 1 BG

CEILING BRACKET WITH CUP CBC

Can be used with threaded rod. Pull strength 10kg.



CODE	PRODUCT x = stock product	WGT. kg / kpl	COLOUR	PACKAGE
1459434	x UNIPRO CBC W	0.016	White	10 PCE / 1 BG
1459435	x UNIPRO CBC B	0.016	Black	10 PCE / 1 BG

WALL BRACKET WB

Steel wall bracket. Used with ceiling bracket CB3. Pull strength 3kg.



CODE	PRODUCT x = stock product	WGT. kg / kpl	COLOUR	PACKAGE
1459436	x UNIPRO WB W	0.045	White	10 PCE / 1 BG
1459437	x UNIPRO WB B	0.045	Black	10 PCE / 1 BG

SUSPENSION CLAMP SC3

Pull strength 10kg, for 3-phase and Control-DALI lighting tracks.



CODE	PRODUCT x = stock product	WGT. kg / kpl	COLOUR	PACKAGE
1459440	x UNIPRO SC3W	0.065	White	10 PCE / 1 BG
1459441	x UNIPRO SC3G	0.065	Grey	10 PCE / 1 BG
1459442	x UNIPRO SC3B	0.065	Black	10 PCE / 1 BG

ADJUSTABLE WIRE SUSPENSION SET WS

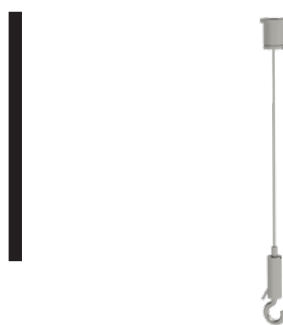
Wire suspension set for CB3, QC3 and QCB brackets. Pull strength 15kg, WS40 W pull strength 12kg.



CODE	PRODUCT x = stock product	WGT. kg / kpl	LENGTH mm	COLOUR	PACKAGE
1459410	x UNIPRO WS15	0.054	1500	Grey	1 PCE / 1 BG
1459415	x UNIPRO WS15 B	0.05	1500	Black	1 PCE / 1 BG
1459411	x UNIPRO WS40	0.08	4000	Grey	1 PCE / 1 BG
1459416	x UNIPRO WS40 B	0.08	4000	Black	1 PCE / 1 BG
1459417	x UNIPRO WS40 W	0.08	4000	White	1 PCE / 1 BG
1459412	x UNIPRO WS60	0.11	6000	Grey	1 PCE / 1 BG

ADJUSTABLE WIRE SUSPENSION SET WITH HOOK WS40H

Wire suspension set for PB and PC brackets, pull strength 10kg.



CODE	PRODUCT x = stock product	WGT. kg / kpl	LENGTH mm	COLOUR	PACKAGE
1459414	x UNIPRO WS40H	0.08	4000	Grey	1 PCE / 1 BG

ADJUSTABLE WIRE SET WITH LOOP WIRE WS40L

Wire suspension set for CB3, QC3 and QCB brackets, pull strength 15kg.



CODE	PRODUCT x = stock product	WGT. kg / kpl	LENGTH mm	COLOUR	PACKAGE
1459128	x UNIPRO WS40L	0.05	4000	Grey	1 PCE / 1 BG
1459130	x UNIPRO WS40L B	0.05	4000	Black	1 PCE / 1 BG

WIRE SET WITH ADJUSTABLE CEILING ATTACHMENT AND LOOP WIRE WSL40

Wire suspension set for PB and PC brackets, pull strength 15kg.



CODE	PRODUCT x = stock product	WGT. kg / kpl	LENGTH mm	COLOUR	PACKAGE
1459135	x UNIPRO WSL40	0.05	4000	Grey	1 PCE / 1 BG
1459136	x UNIPRO WSL40 B	0.05	4000	Black	1 PCE / 1 BG

Ø1.5 MM WIRE WITH LOOP WL40

Ø1.5mm wire with loop, pull strength 15 kg, to be used with e.g. a WG wire gripper.



CODE	PRODUCT x = stock product	WGT. kg / kpl	LENGTH mm	COLOUR	PACKAGE
1459146	x UNIPRO WL40	0.05	4000	Grey	1 PCE / 1 BG
1459150	x UNIPRO WL40 B	0.05	4000	Black	1 PCE / 1 BG

ADJUSTABLE WIRE GRIPPER WG

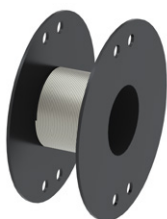
Cable lock for Ø1.5mm wires, pull strength 20kg.



CODE	PRODUCT x = stock product	WGT. kg / kpl	COLOUR	PACKAGE
1459140	x UNIPRO WG	0.01	Grey	50 PCE
1459145	x UNIPRO WG B	0.01	Black	50 PCE

WIRE REEL, Ø=1.5MM, L=50M WR

50 metre Ø1.5 mm cable spool, steel grey, pull strength 15 kg, to be used with e.g. a WG wire gripper.



CODE	PRODUCT x = stock product	WGT. kg / kpl	LENGTH mm	COLOUR	PACKAGE
1459127	x UNIPRO WR	0.8	50000	Grey	1 PCE / 1 BG

SLIDING SUSPENSION CLAMP FOR MEK SSC

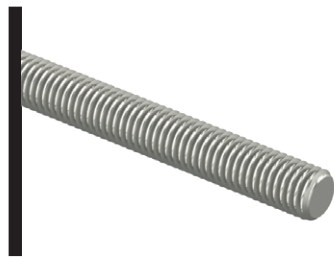
Plastic sliding suspension clamp for MEK lighting rails, pull strength 10kg.



CODE	PRODUCT x = stock product	WGT. kg / kpl	COLOUR	PACKAGE
1459105	x UNIPRO SSC	0.025	White	10 PCE / BG

THREADED ROD GT-6

Threaded rods GT are used for suspending lighting track systems.



CODE	PRODUCT x = stock product	WGT. kg / kpl	LENGTH mm	COLOUR	PACKAGE
1459420	GT-6 L=1000 EG	0.15	1000	Grey	20 PCE / 20 MTR

CASING TUBE SS

White plastic protective sleeves SS are used to cover threaded rods GT.



CODE	PRODUCT x = stock product	WGT. kg / kpl	COLOUR	PACKAGE
1459426	x SS-6 W	5.04	White	1 PCE / 250 MTR

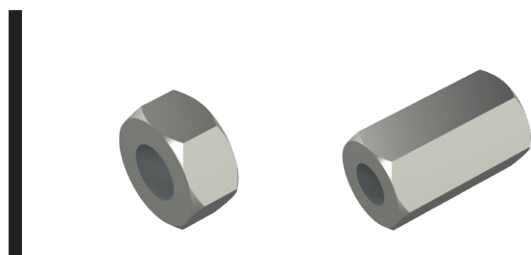
SUSPENSION HOOK SH

Pull strength 1kg, for SC3 suspension base.



CODE	PRODUCT x = stock product	WGT. kg / kpl	COLOUR	PACKAGE
1459443	x UNIPRO SH	0.002	Grey	10 PCE / 1 BG

NUT MU / EXTENSION NUT JM



CODE	PRODUCT x = stock product	WGT. kg / kpl	COLOUR	PACKAGE
1459427	MU M6 EG	0.01	Grey	10 PCE / 1 BG

CODE	PRODUCT x = stock product	WGT. kg / kpl	COLOUR	PACKAGE
1459425	JM M6 EG	0.01	Grey	10 PCE



making
your
lights
shine

unipro®

UNIPRO OY

KONETIE 25, FI-90620 OULU, FINLAND
+358 207 450 800
WWW.UNIPRO.FI