

**CLEONI**  
LIGHTING

**ON**

**P O R T F O L I O**

© Copyright 2022

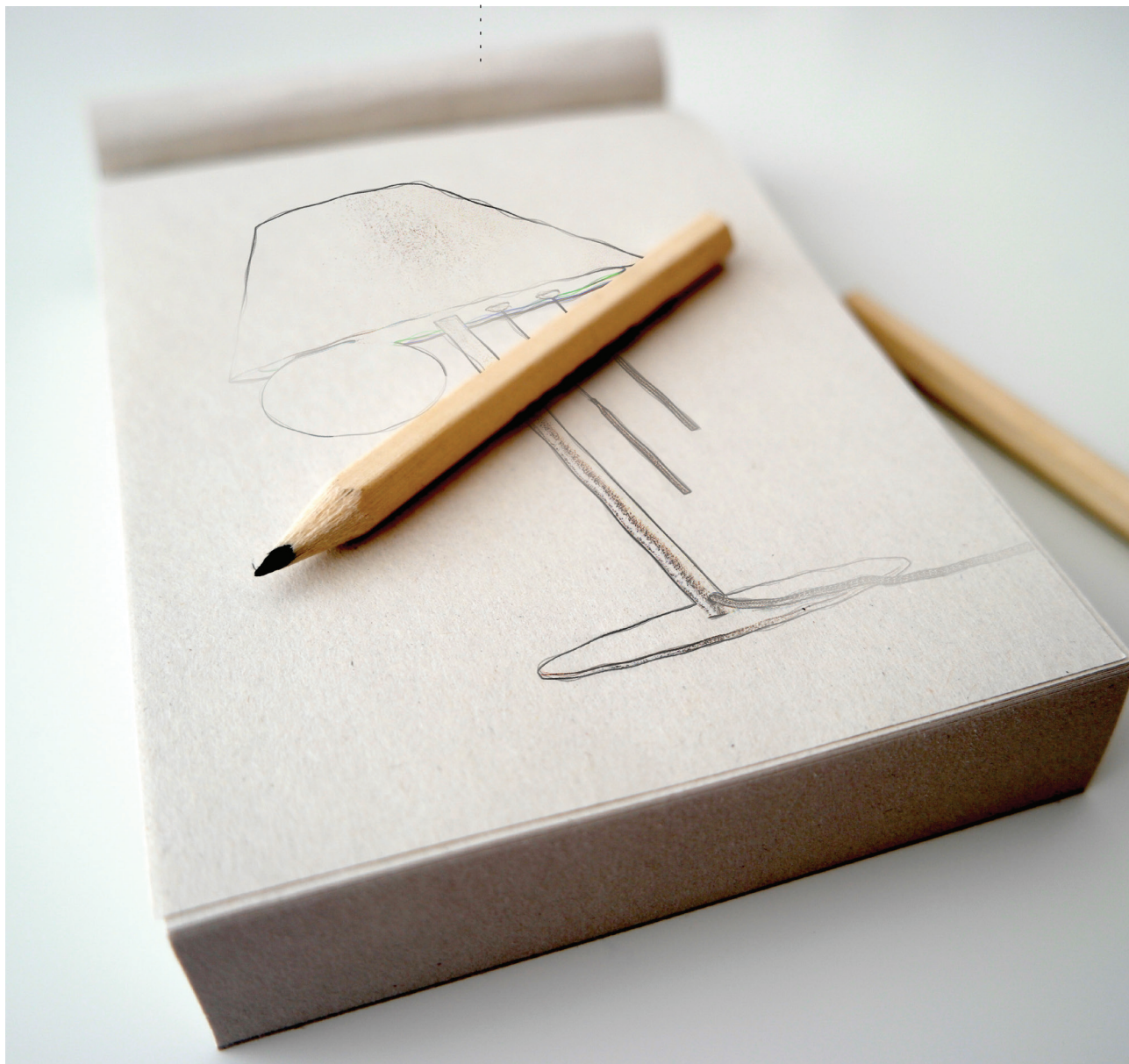




**CLEONI PORTFOLIO**  
**2022 / 2**



“RECOGNIZING THE NEED IS THE  
PRIMARY CONDITION FOR DESIGN.” CHARLES EAMES



## **INTRODUCTION**

---

Dear Reader,

Welcome to the world of Cleoni decorative lighting fixtures - where a modern, minimalist design goes hand in hand with the highly decorative character found in each luminaire.

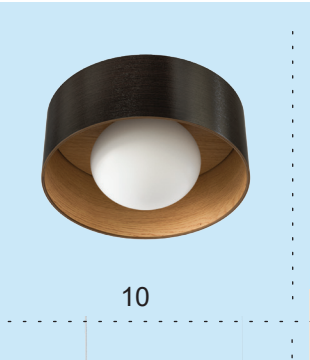
In this world, each element is the result of careful & thorough consideration.

That's why the fixtures not only serve a practical role, but are also able to emphasize the style of the interiors in which they are featured.

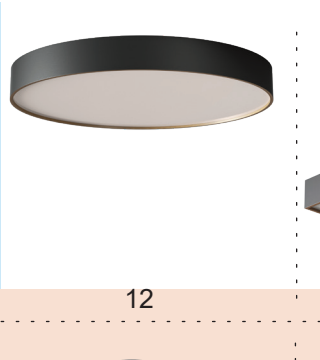
These artistically designed lamps combine modern technology with sophisticated design in perfect harmony. Pleasing to the eye, they create a fantastic atmosphere in any room.

All the best.

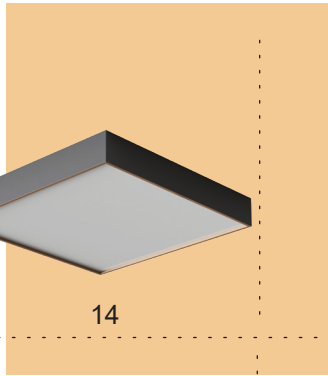
**CLEONI**



10



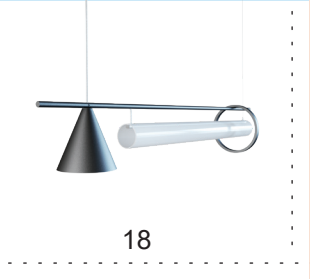
12



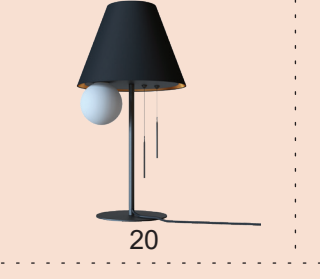
14



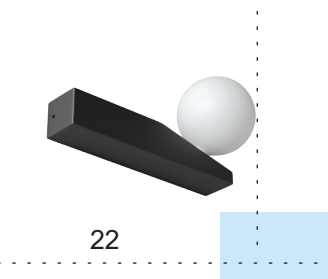
16



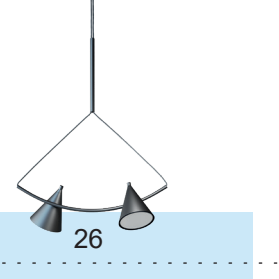
18



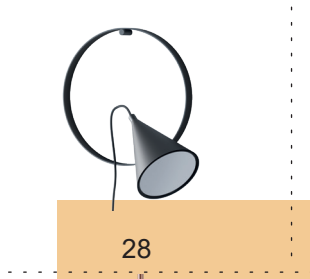
20



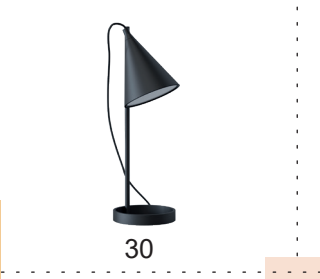
22



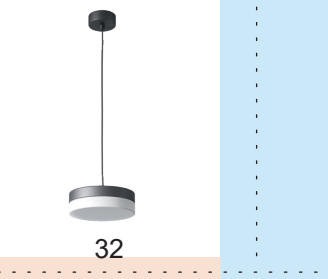
26



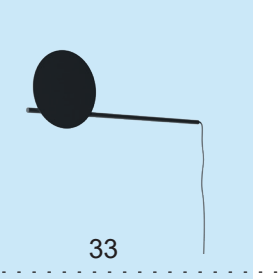
28



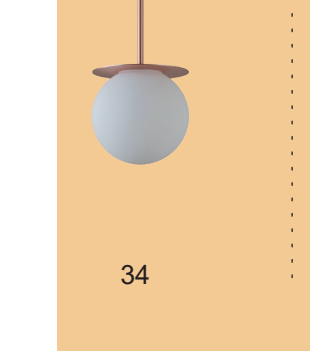
30



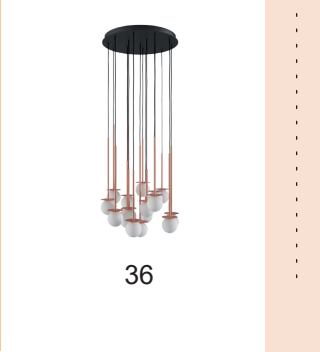
32



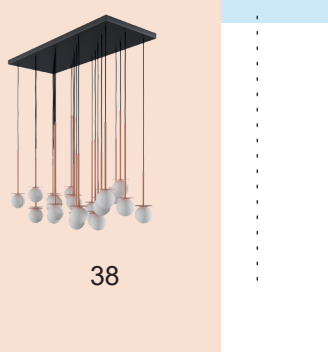
33



34



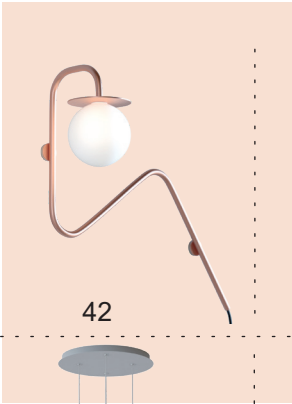
36



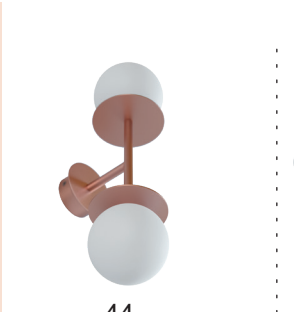
38



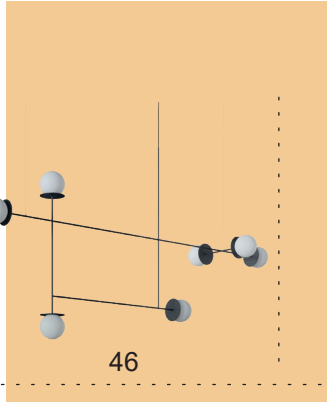
40



42



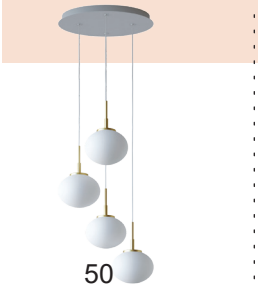
44



46



48



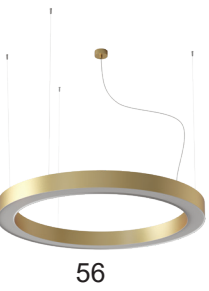
50



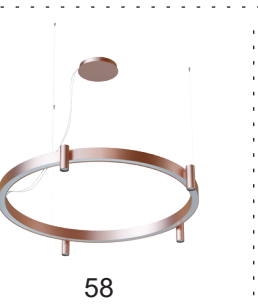
52



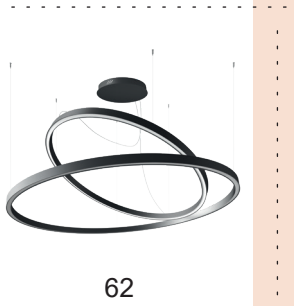
54



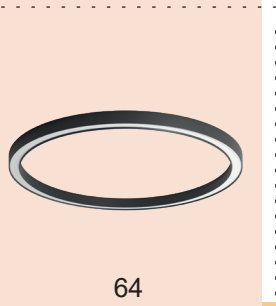
56



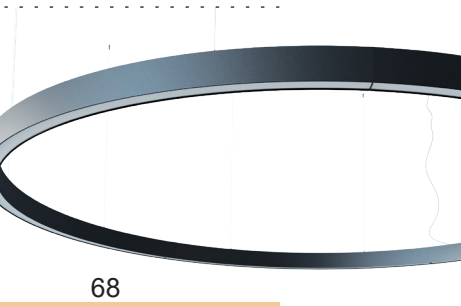
58



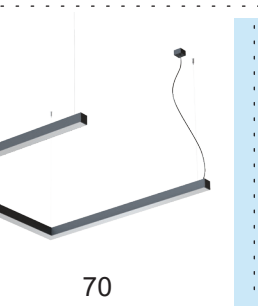
62



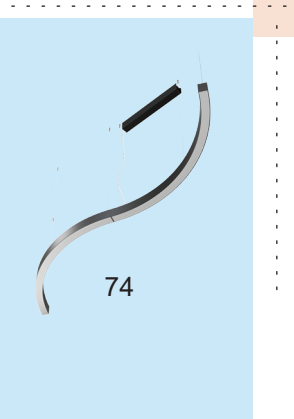
64



68



70



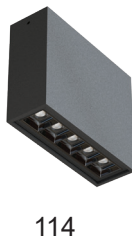
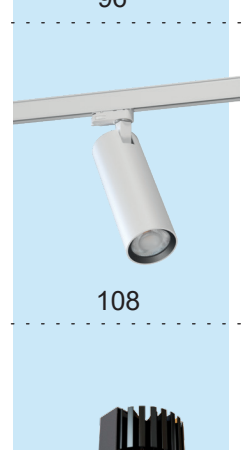
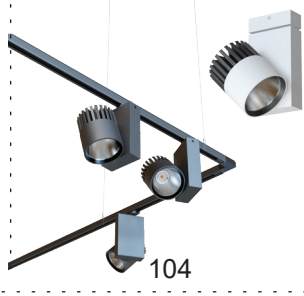
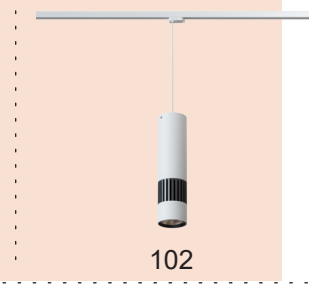
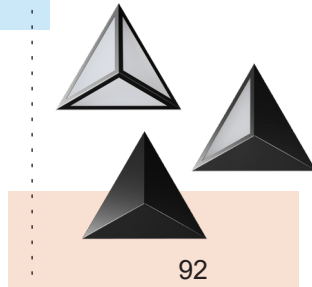
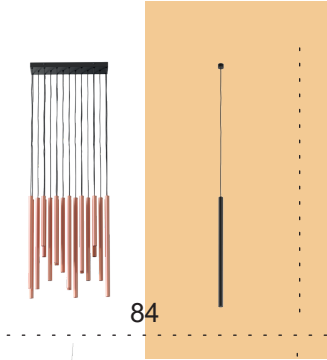
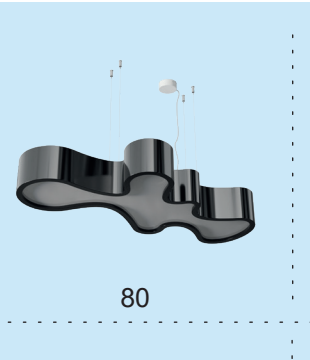
74



76



78







MADE IN EU  
CLEONI

NEW

Ø 400

150

**CEILING LUMINAIRE:** KOBE

**LIGHT SOURCE:** E27

**MATERIAL:** VENEERED PLYWOOD

N<sup>o</sup>  
10

“KOBE” DESIGN BY  
ŁUKASZ WAWRZYNIAK

CBACK

**K O B E** CEILING / LA280/A1





NEW

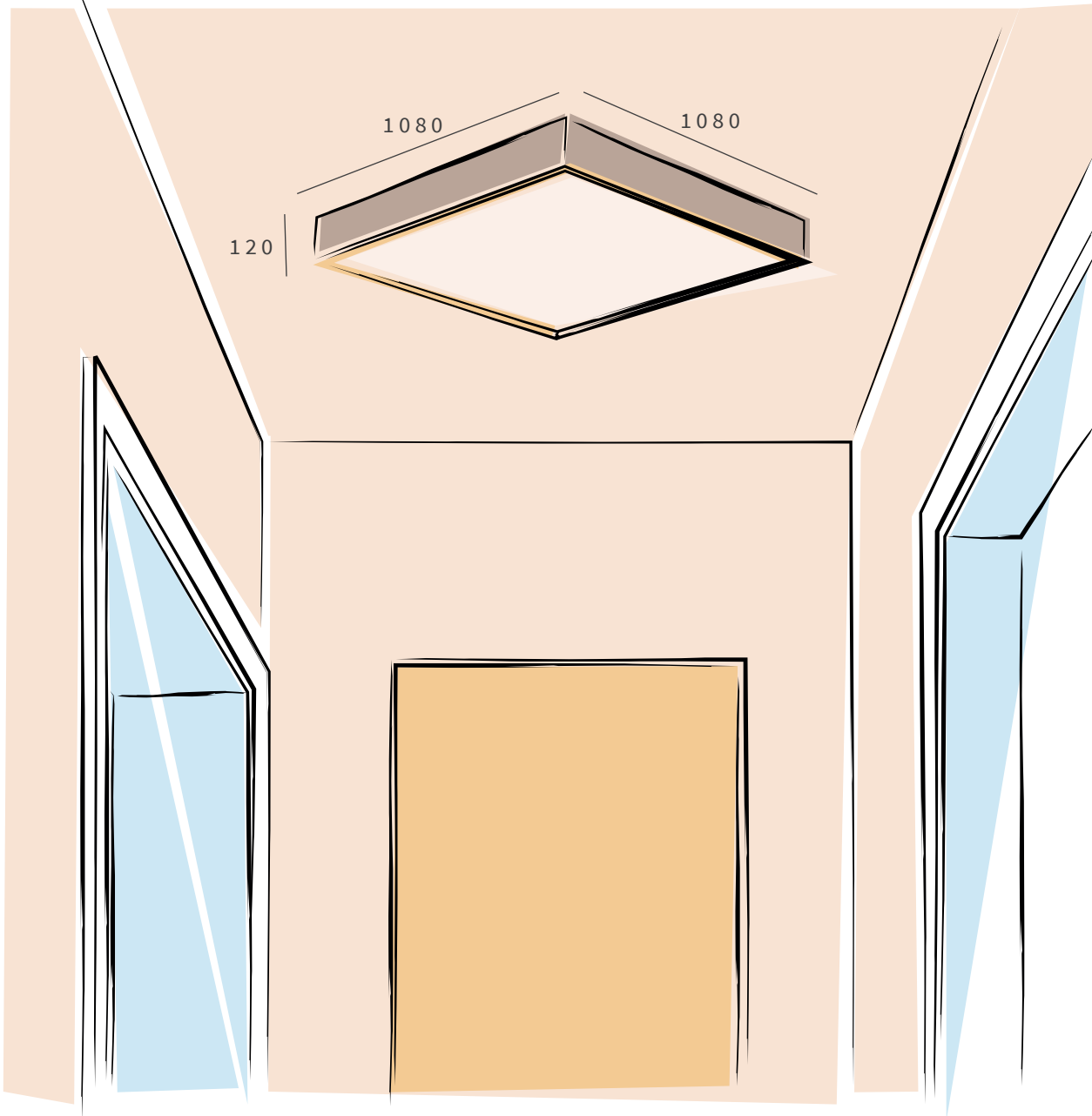
MADE IN EU  
CLEONI

N<sup>o</sup><sub>12</sub>

” GOOD DESIGN IS OBVIOUS  
GREAT DESIGN IS TRANSPARENT.” JOE SPARANO

**ORI** CEILING/ LA312





MADE IN EU  
CLEONI

# RANT CEILING

NEW

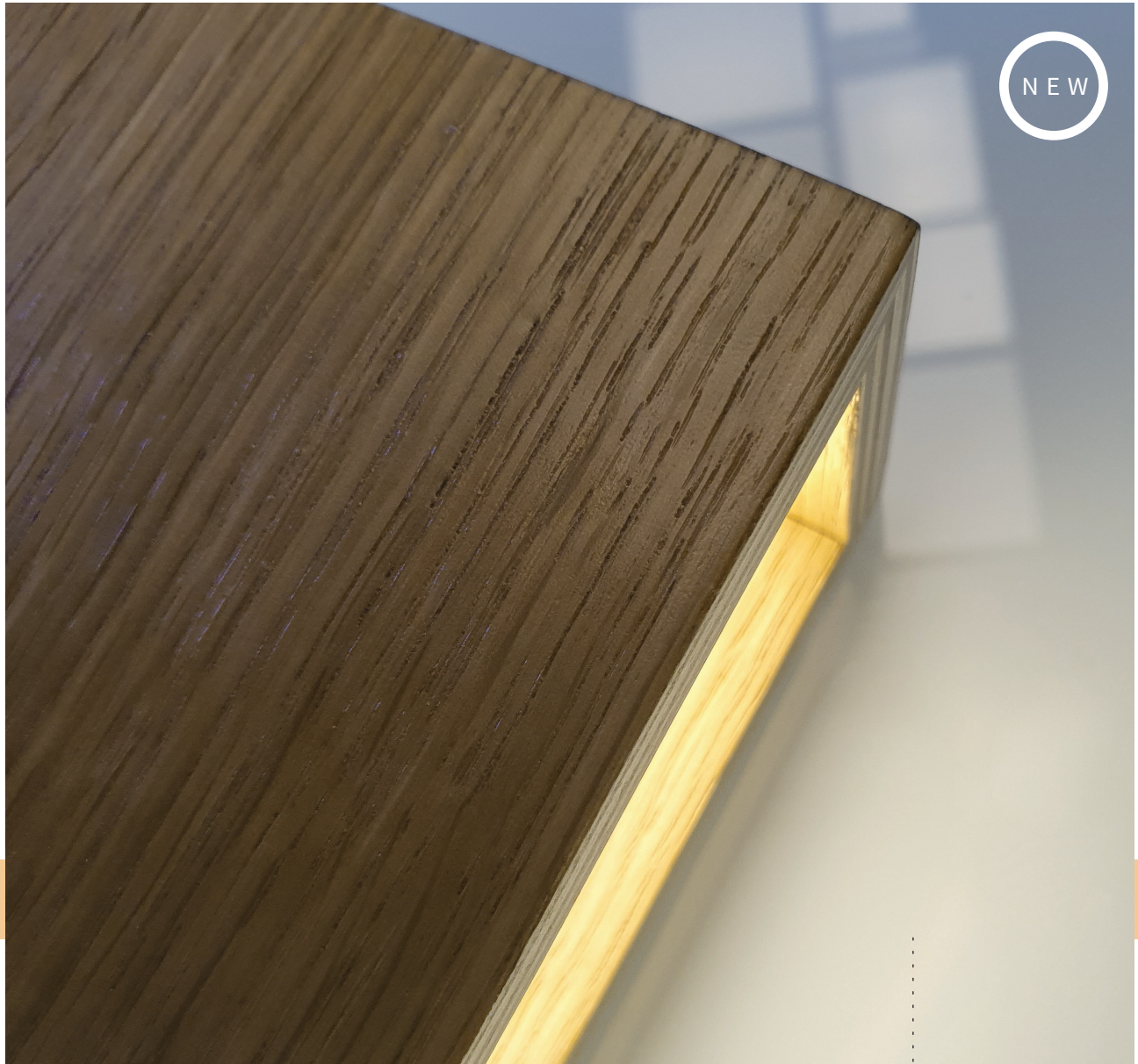


**CEILING LUMINAIRE:** RANT  
**LIGHT SOURCE:** LED  
**MATERIAL:** VENEERED PLYWOOD

CHARLES EAMES

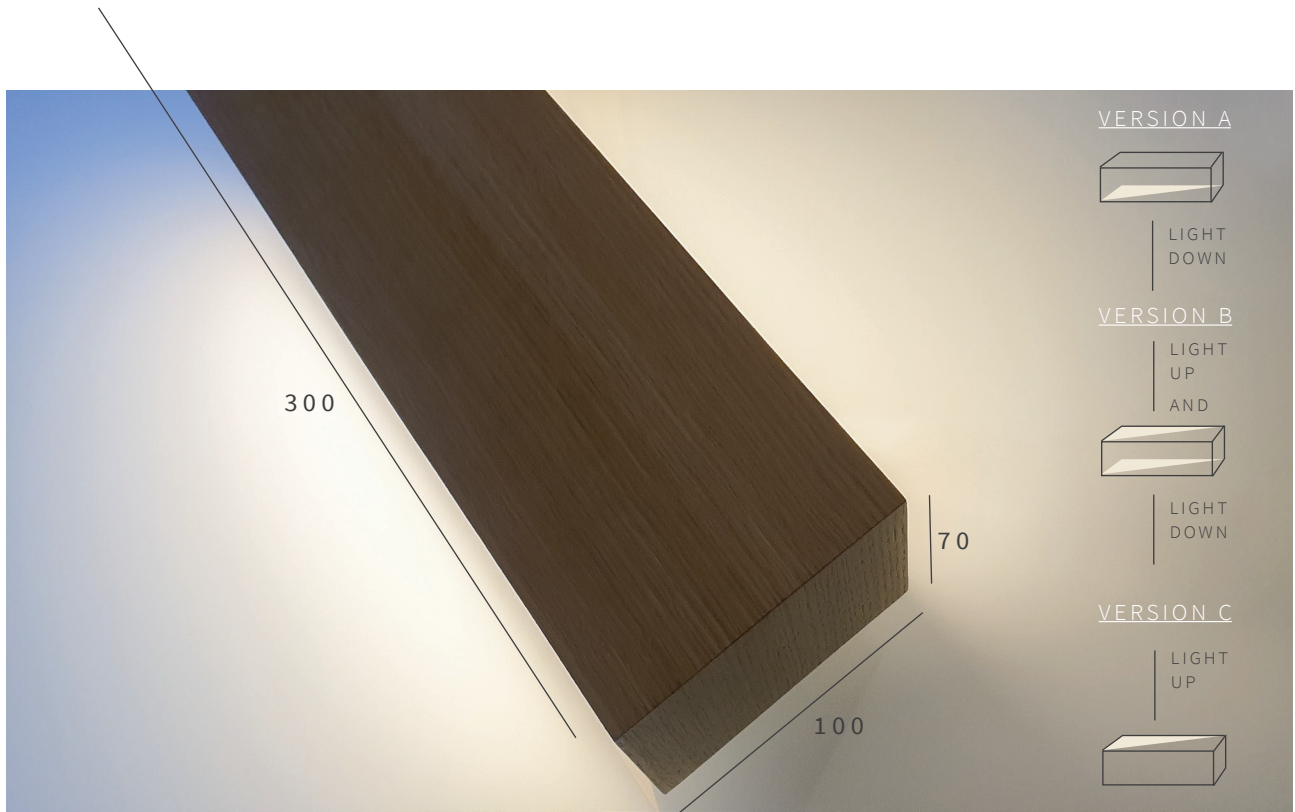
„A DESIGNER IS A PLANNER WITH AN  
AESTHETIC SENSE.”

NEW



MADE IN EU  
CLEONI



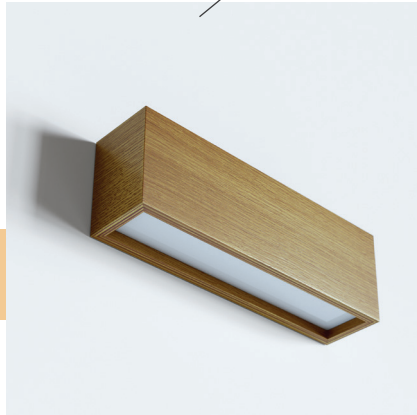


**RANT** WALL LIGHT

**WALL LIGHT:** RANT

**LIGHT SOURCE:** LED

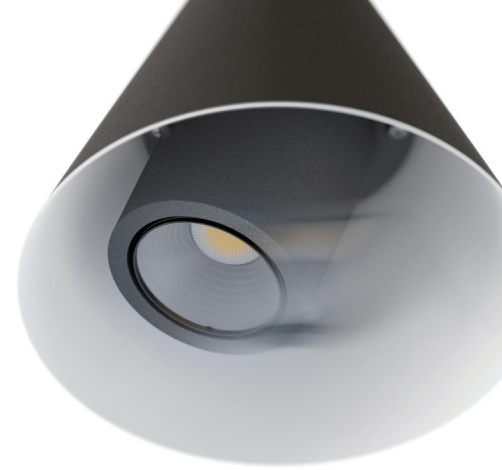
**MATERIAL:** VENEERED PLYWOOD



NEW

MADE IN EU  
CLEONI



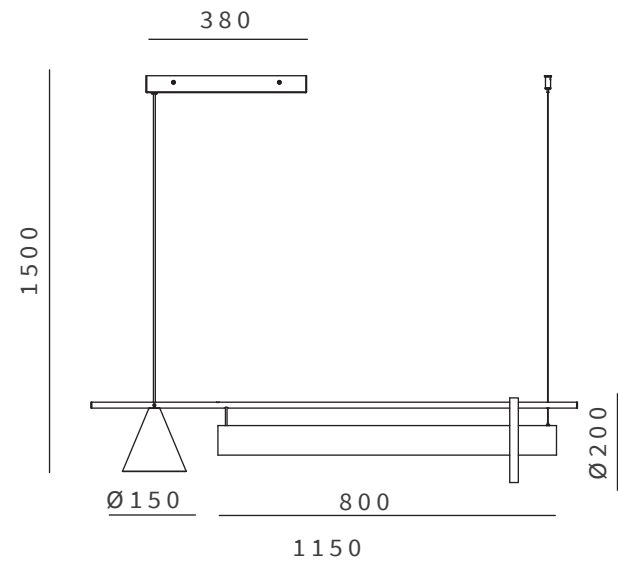


**INVIDIA** PENDANT/ LA217/A1/L13

**PENDANT LUMINAIRE:** INVIDIA

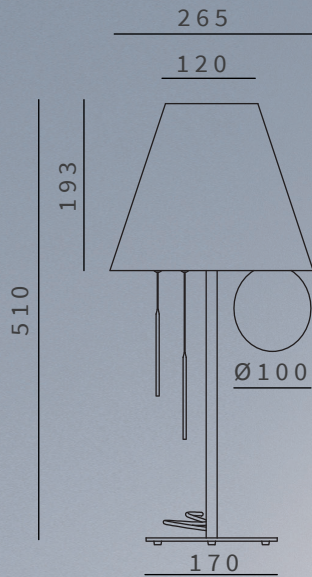
**LIGHT SOURCE:** LED

**MATERIAL:** STEEL, ALUMINIUM, PLEXI



N. 19

MADE IN EU  
CLEONI



NEW



N.  
20

“ZORIA” DESIGN BY  
ŁUKASZ WAWRZYŃIAK

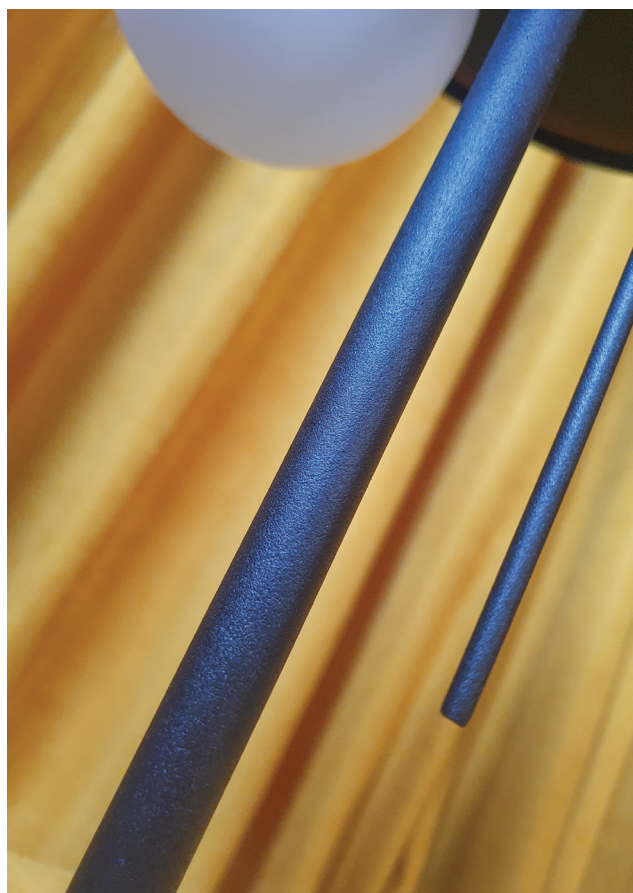
**ZORIA** TABLE LIGHT/ LA171/A1/511/116



**TABLE LIGHT:** ZORIA

**LIGHT SOURCE:** LED, E27

**MATERIAL:** GLASS „HANDMADE”, STEEL, TEXTILE



MADE IN EU  
CLEONI



NEW

N<sup>o</sup>. 22

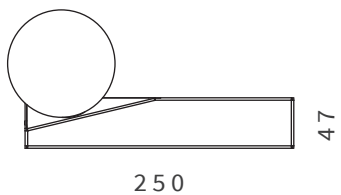
“KVARC” DESIGN BY  
ŁUKASZ WAWRZYNIAK

# KVARC WALL LIGHT/ LA173

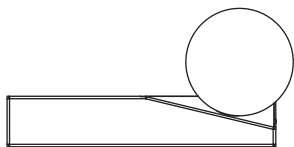


PROJECT INTERIOR DESIGN STUDIO  
IZABELA KRZEMIENŃ PRO KONCEPT

Ø100



LEFT VERSION/ LA173/A2



RIGHT VERSION/ LA173/A1

**WALL LIGHT:** KVARC

**LIGHT SOURCE:** G9

**MATERIAL:** GLASS „HANDMADE”, STEEL





## RIM COLLECTION

---

“Rim is a collection of lamps inspired by simple and graphical design. The hoop, or “rim”, is a single element that forms a bold, clean line. The design manifesto being; to create products who’s functions result from the form, keeping it minimal and unfussy.

The Rim collection consists of a wall lamp, the assembly of which does not require preparing electrical cables in the wall - it is simply hung and powered from the sockets. The pendant lamp, which due to it’s metal tube system, allows for a quick and easy height adjustments. There is also a desk lamp, in which the cable, if it is too long, can be wrapped around the vertical arm.”

## PILL COLLECTION

---

“The Pill lamp collection are harmonious in shape and proportion. Their simplicity and adaptability means they can be placed in very different interiors, and used in mixed groups or singularly.

The wall lamp creates a typical graphic character - with few constituent parts. The cabling solution, running through the central tube, is an aesthetically interesting feature that is deliberately exposed to enforce the reductive quality of the design. The hanging luminaire is a symmetrical composition of two ‘tablets’ - one for illumination, with a glass shade, the other- a contrasting solid metal element. The lamp has a timeless look, but is also a powerful light source, so it can be used over a table, island or bar.”

*Katalia  
Wieteske*

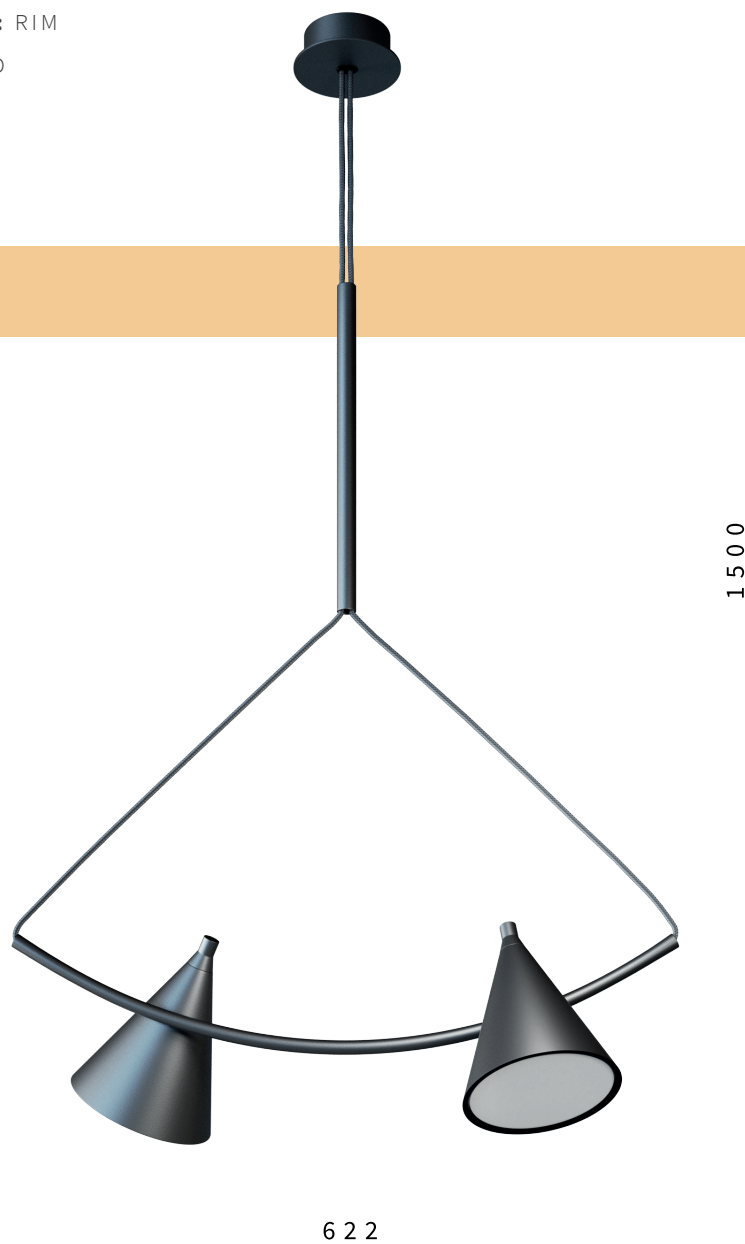
CBACK

# RIM PENDANT / LA39C1

**PENDANT LUMINAIRE:** RIM

**LIGHT SOURCE:** 2XLED

**MATERIAL:** STEEL



MADE IN EU  
CLEONI



Drewmax

“RIM” DESIGN BY  
NATALIA WIETESKA

N•  
27

MADE IN EU  
CLEONI



N. 28

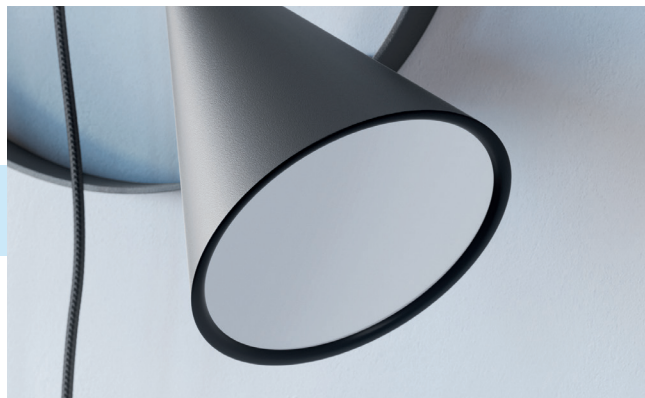
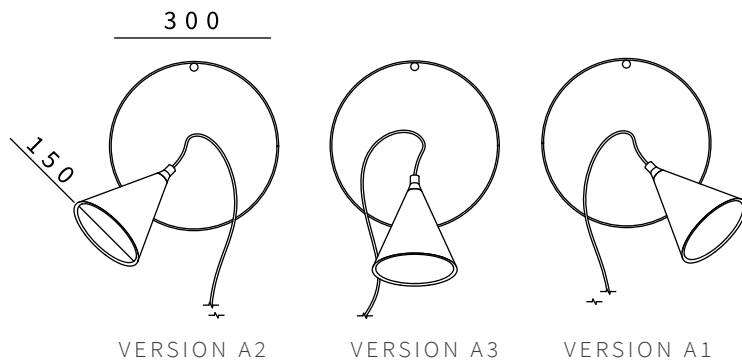
“RIM” DESIGN BY  
NATALIA WIETESKA

**RIM** WALL LIGHT/ LA39A

**WALL LIGHT:** RIM

**LIGHT SOURCE:** LED

**MATERIAL:** STEEL



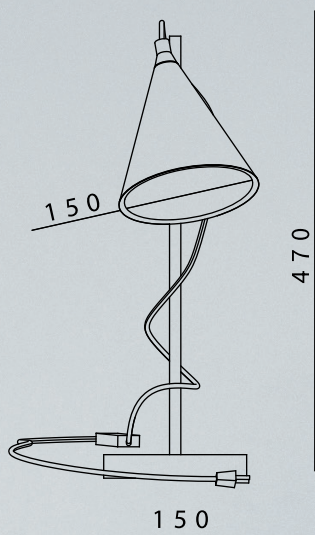
QBACK

**RIM** TABLE LIGHT/ LA39B1

**TABLE LIGHT:** RIM

**LIGHT SOURCE:** LED

**MATERIAL:** STEEL





MADE IN EU  
CLEONI

“RIM” DESIGN BY  
NATALIA WIETESKA

N° 31

**QBACK**

**PILL** PENDANT/ LA19A1

**PENDANT LUMINAIRE:** PILL

**LIGHT SOURCE:** LED

**MATERIAL:** GLASS „HANDMADE”, STEEL



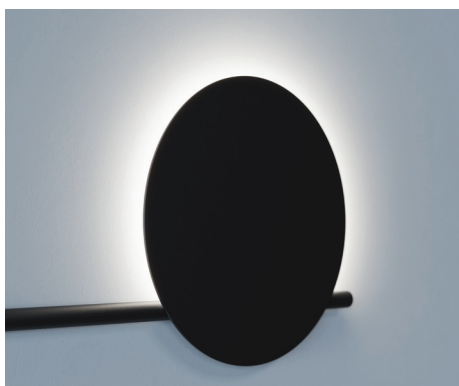
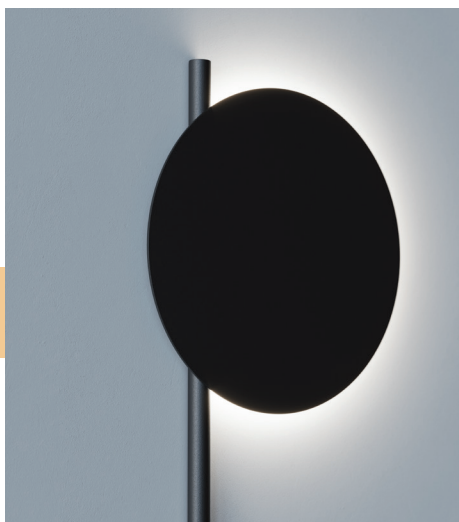
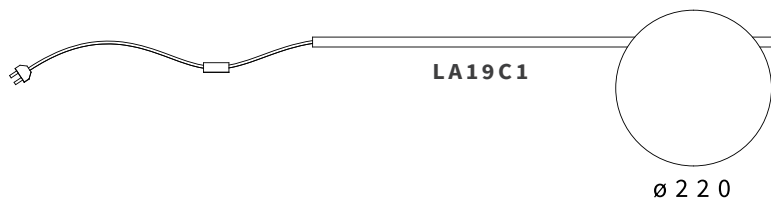
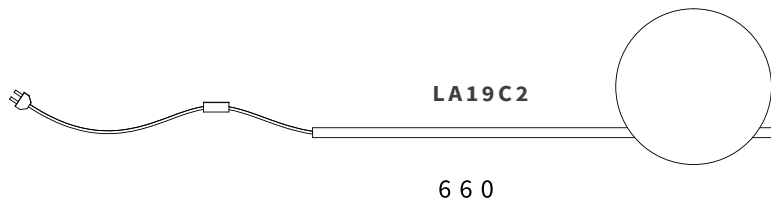


**PILL** WALL LIGHT/ LA19C

**WALL LIGHT:** PILL

**LIGHT SOURCE:** LED

**MATERIAL:** STEEL



MADE IN EU  
CLEONI

MADE IN EU  
CLEONI



N<sup>o</sup>.  
34

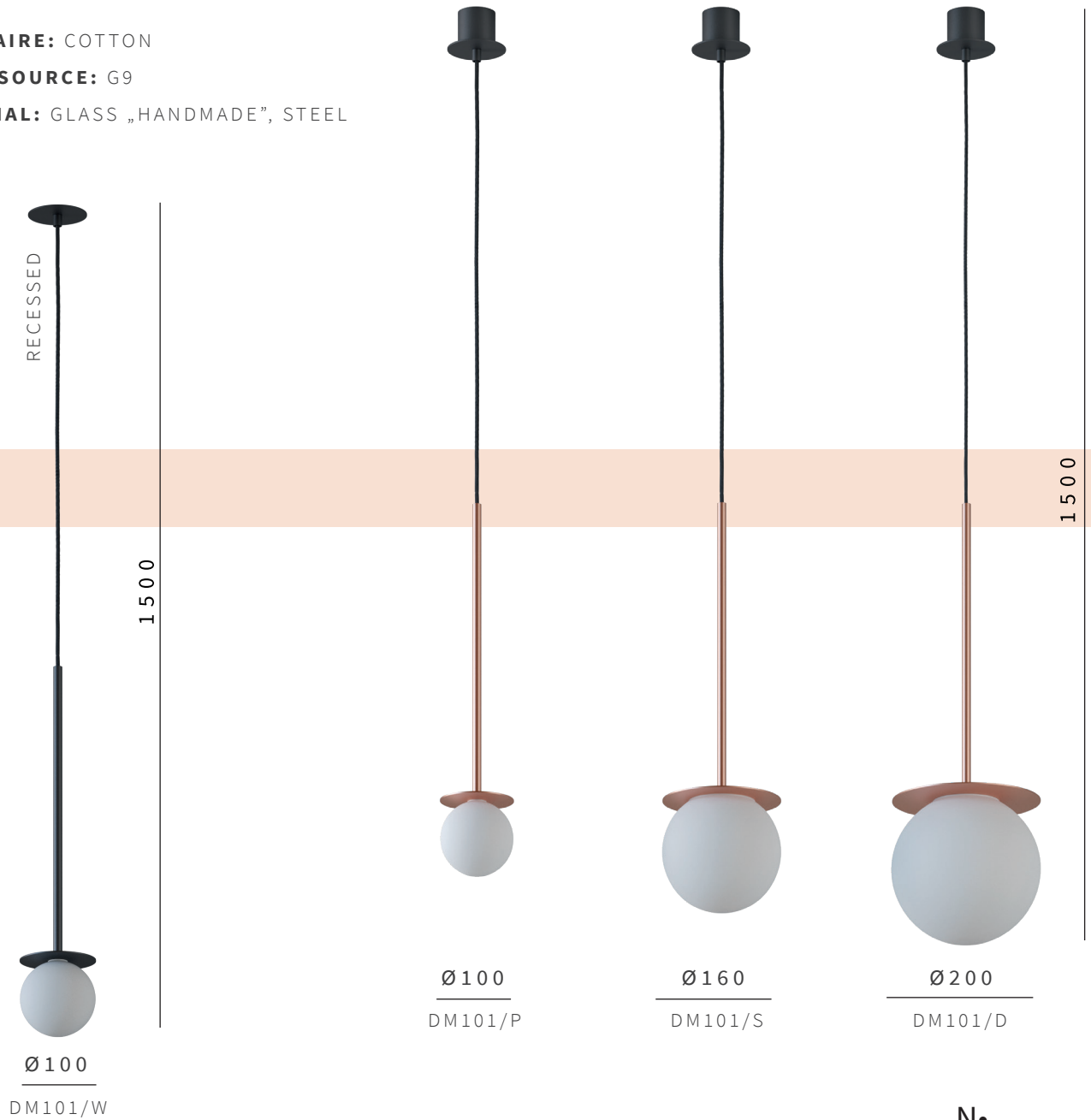
RESTAURANT INTERIOR  
"BOTTIGLIERIA 1881" CRACOW

# COTTON PENDANT/ RECESSED

LUMINAIRE: COTTON

LIGHT SOURCE: G9

MATERIAL: GLASS „HANDMADE”, STEEL



# COTTON PANEL PENDANT/ DM101



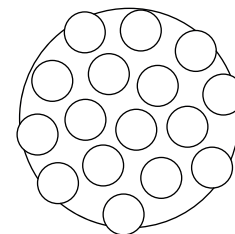
MADE IN EU  
CLEONI

SUPER YACHT CLUB GDYNIA

**PENDANT LUMINAIRE:** COTTON PANEL

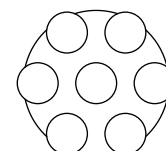
**LIGHT SOURCE:** G9

**MATERIAL:** GLASS-Ø100 „HANDMADE”, STEEL



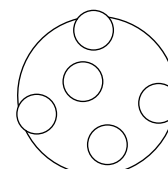
Ø 500

DM101/HF4



Ø 356

DM101/RH25



Ø 400

DM101/RH19



Ø 200

DM101/RH24



COTTON PANEL-CLEONI

WARSAW HOME EXHIBITION STAND

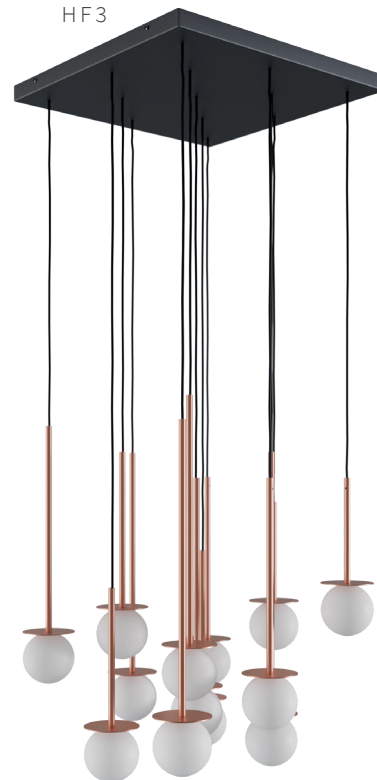


COTTON PANEL/ HF2  
COTTON PANEL/ ET

BACK



COTTON PANEL  
HF3



**COTTON PANEL** PENDANT/ DM101

**PENDANT LUMINAIRE:** COTTON PANEL

**LIGHT SOURCE:** G9

**MATERIAL:** GLASS-Ø100 „HANDMADE”, STEEL

MADE IN EU  
CLEONI



COTTON PANEL-CLEONI

WARSAW HOME EXHIBITION STAND



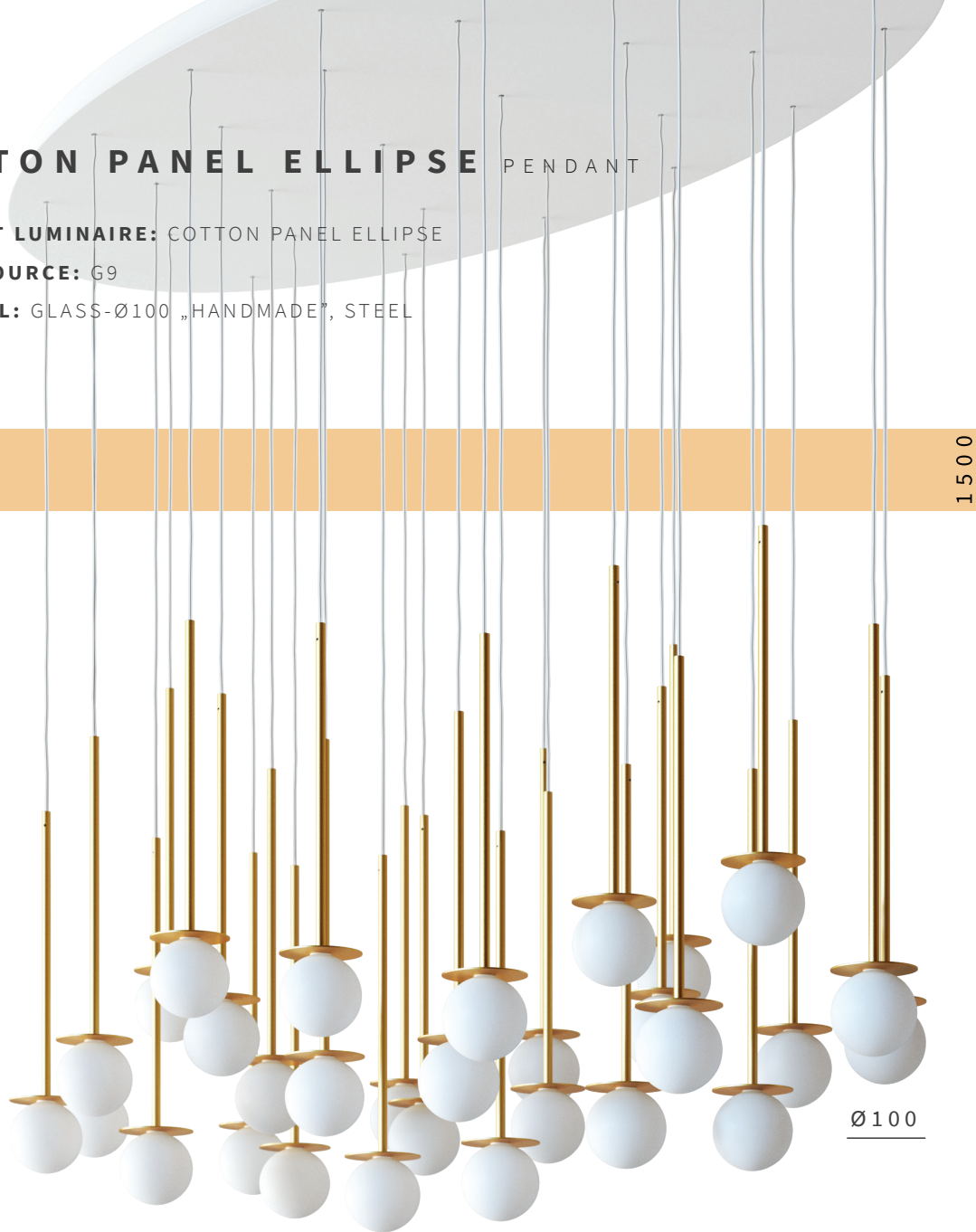
**CBACK**

# COTTON PANEL ELLIPSE PENDANT

**PENDANT LUMINAIRE:** COTTON PANEL ELLIPSE

**LIGHT SOURCE:** G9

**MATERIAL:** GLASS-Ø100 „HANDMADE“, STEEL



1500

Ø100

CBACK

# COTTON WALL LIGHT/ DM101

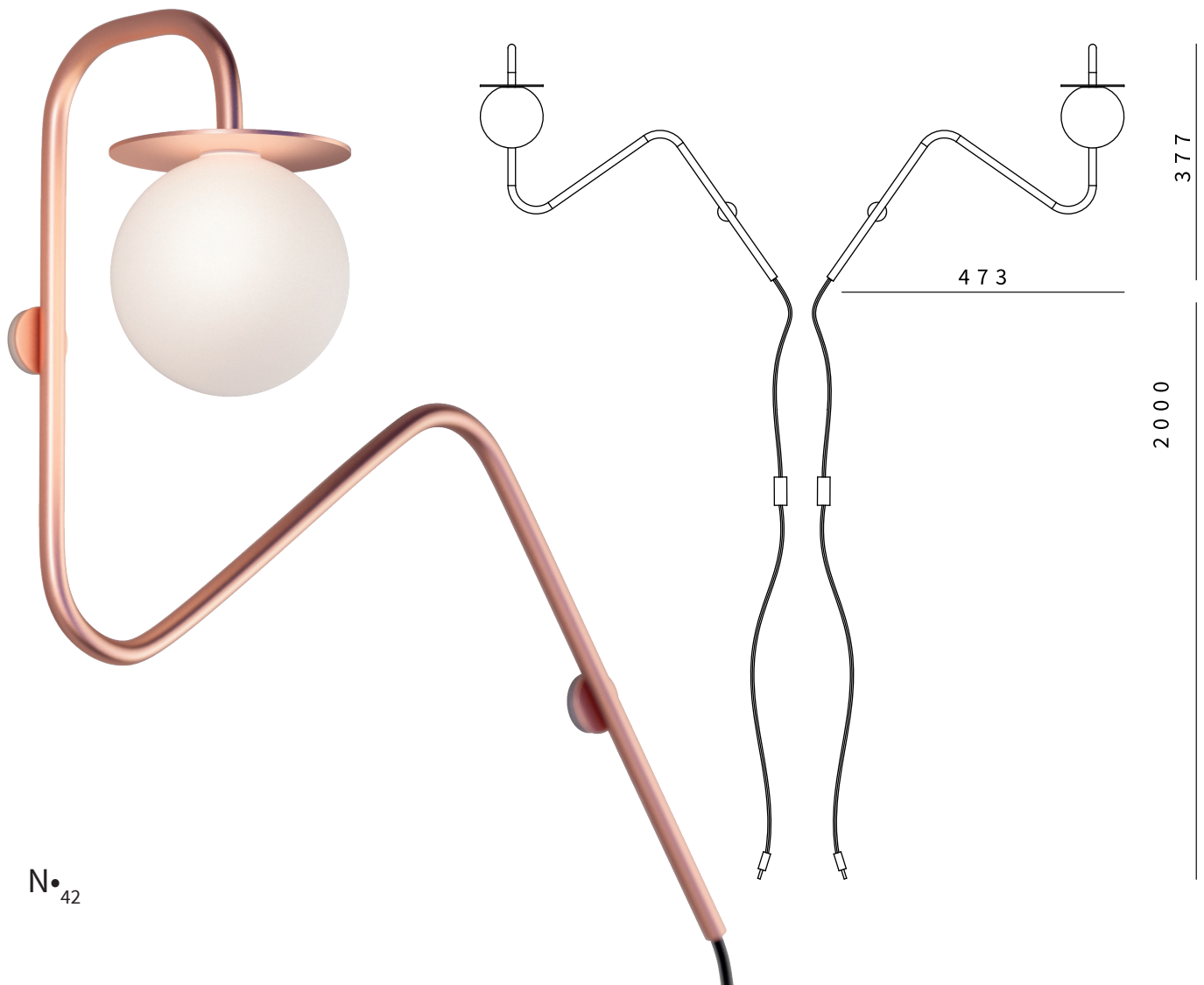
**WALL LIGHT:** COTTON

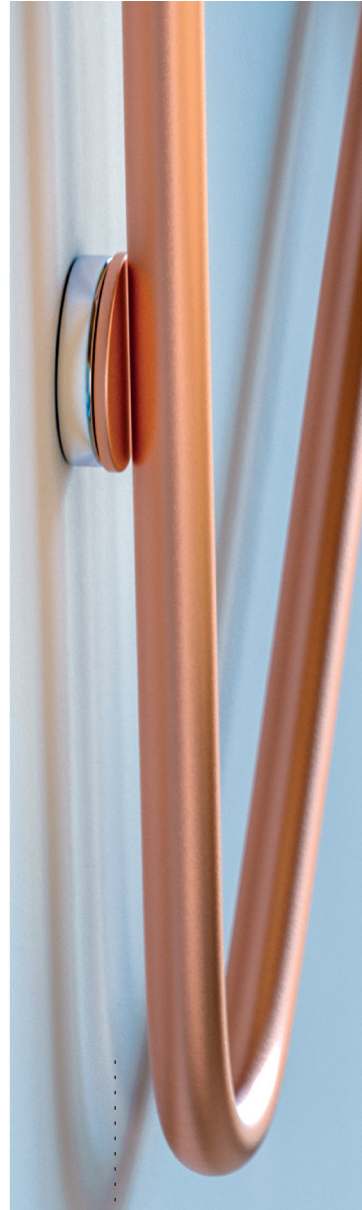
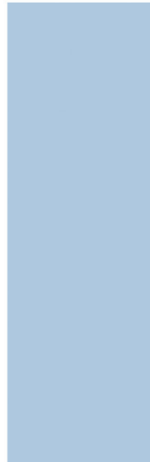
**LIGHT SOURCE:** G9

**MATERIAL:** GLASS-Ø100 „HANDMADE”, STEEL

LEFT VERSION-  
DM101/LA42/A1/L

RIGHT VERSION-  
DM101/LA42/A1/P

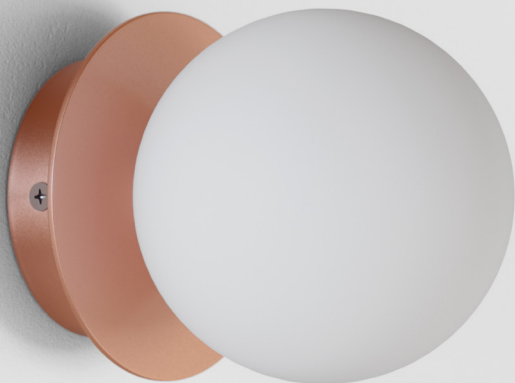




MADE IN EU  
CLEONI

“DESIGN IS A PLAN FOR ARRANGING ELEMENTS IN SUCH  
A WAY AS BEST TO ACCOMPLISH A PARTICULAR PURPOSE.” CHARLES EAMES

TC1



TR1



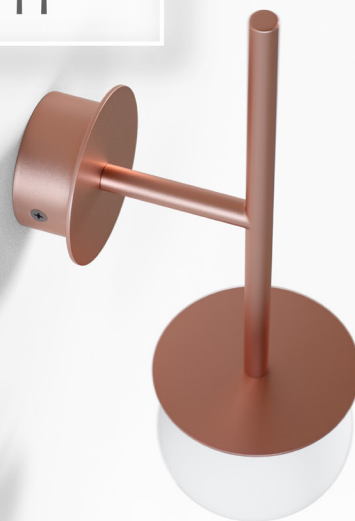
COTTON  
WALL LIGHT

MADE IN EU  
CLEONI

RS2



TR1



QBACK

# COTTON WALL LIGHT/ DM101

**WALL LIGHT:** COTTON

**LIGHT SOURCE:** G9

**MATERIAL:** GLASS-Ø100 „HANDMADE”, STEEL



“INDIVIDUAL PROJECT”  
BOHE ARCHITEKTURA  
ANNA SKOWROŃSKA



PHOTO BY:  
ANNA MASŁOWSKA

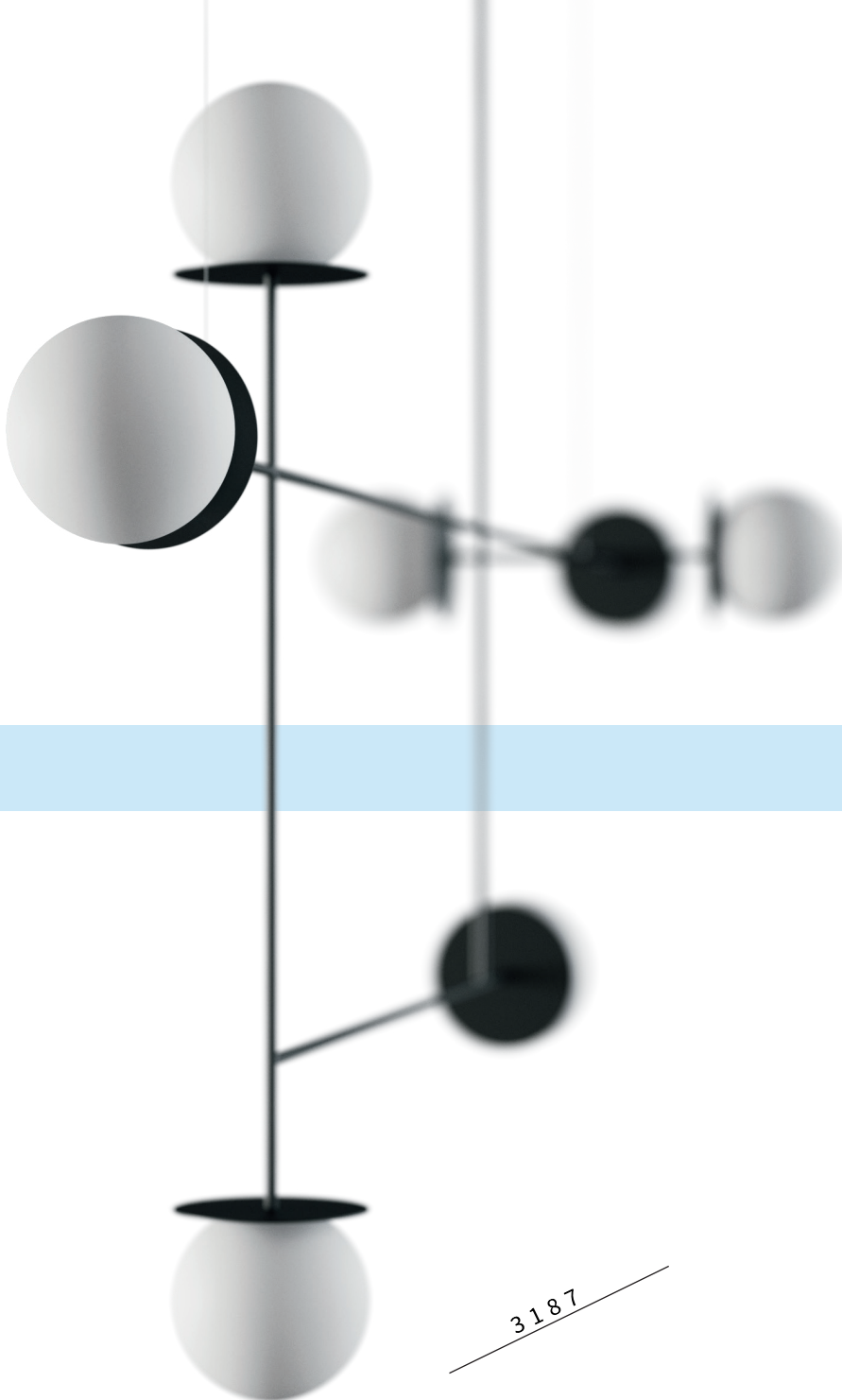
**VARIANT** PENDANT

**PENDANT LUMINAIRE:** VARIANT

**LIGHT SOURCE:** 7XE27

**MATERIAL:** STEEL,  
GLASS-Ø200 „HANDMADE

2783



3187



MADE IN EU  
CLEONI

SUPER YACHT CLUB Gdynia

N<sup>o</sup>. 47

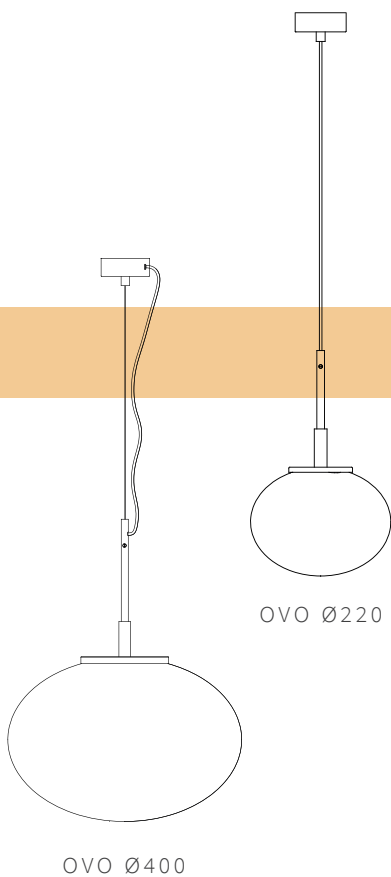
**OVO** PENDANT / DM145

**PENDANT LUMINAIRE: OVO**

**LIGHT SOURCE: E27**

**MATERIAL: GLASS „HANDMADE”  
STEEL**

MADE IN EU  
CLEONI



“DESIGN REVEALS WHAT  
ART CONCEALS.” MARLENE PROTEAU



**QBACK**

**OVAL** P E N D A N T / L A 1 5 / A 1

**PENDANT LUMINAIRE:** OVAL

**LIGHT SOURCE:** E27

**MATERIAL:** GLASS „HANDMADE” STEEL



5 5 0

1 5 0 0

N. 49



MADE IN EU  
CLEONI

NEW

N<sup>o</sup><sub>50</sub>

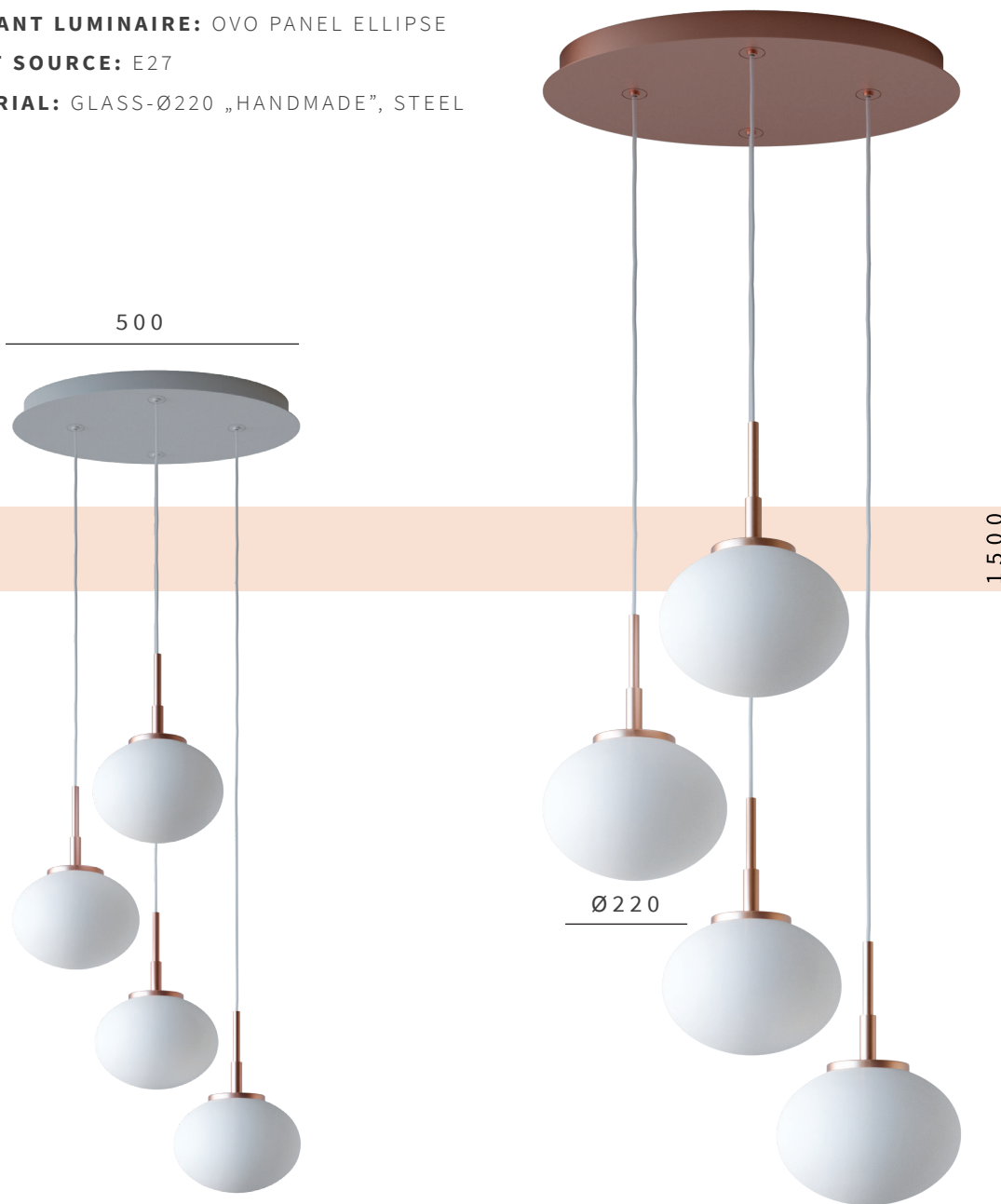
“DESIGN IS THE PURPOSE OF ELEMENTS LIKE  
COMPOSITION, PROPORTION AND BALANCE.” PEPPER HUME

# OVO PANEL ELLIPSE PENDANT / DM145/LA14/TR2

**PENDANT LUMINAIRE:** OVO PANEL ELLIPSE

**LIGHT SOURCE:** E27

**MATERIAL:** GLASS-Ø220 „HANDMADE“, STEEL





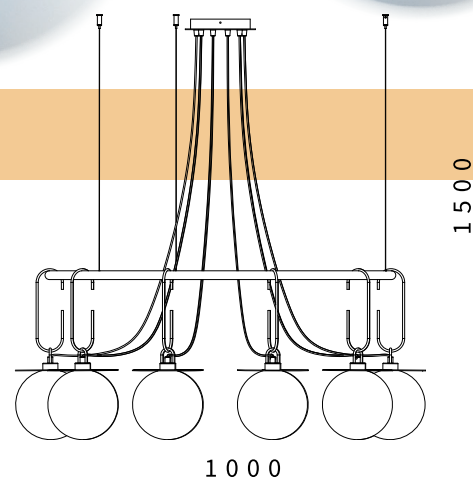
MADE IN EU  
CLEONI

**CORONA** PENDANT / DM102

**PENDANT LUMINAIRE:** CORONA

**LIGHT SOURCE:** E27

**MATERIAL:** GLASS-Ø200 „HANDMADE”, STEEL



**QBACK**

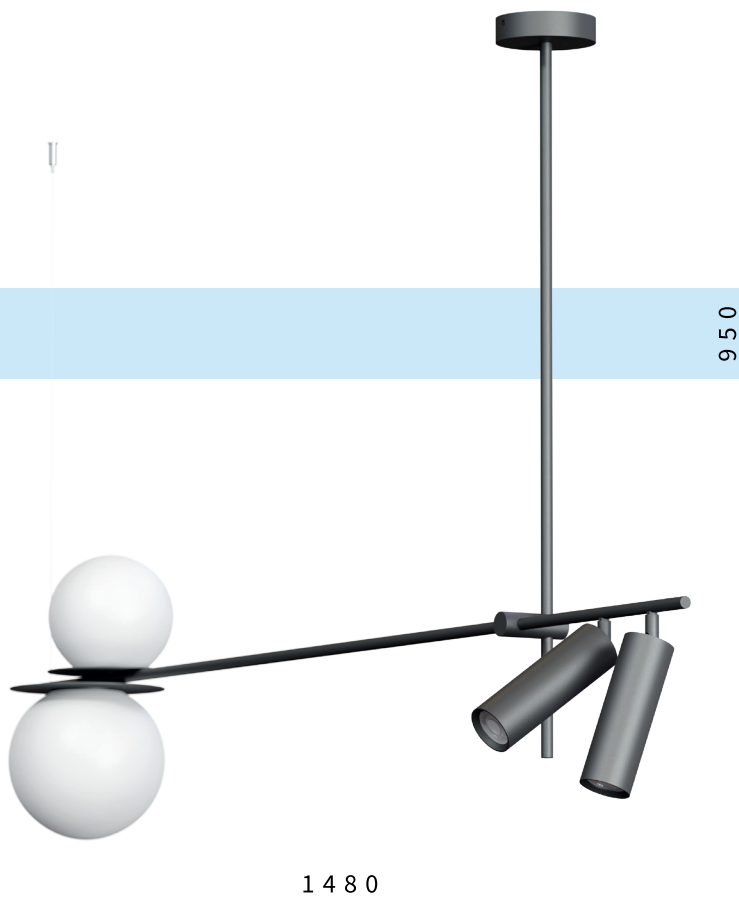
**DUO** PENDANT / DM104

**PENDANT LUMINAIRE: DUO**

**LIGHT SOURCE:** 2XG9; 2X PROJECTOR LED\* SLM L09

**MATERIAL:** GLASS-Ø160 | Ø200, „HANDMADE”, STEEL, ALUMINIUM

\*LED PHILIPS





MADE IN EU  
CLEONI

INTERIOR DESIGN AND ARRANGEMENT  
"BEFORECONCEPT" STUDIO PRIVATE INTERIOR

N. 55

BACK

# RAD PENDANT / 1394

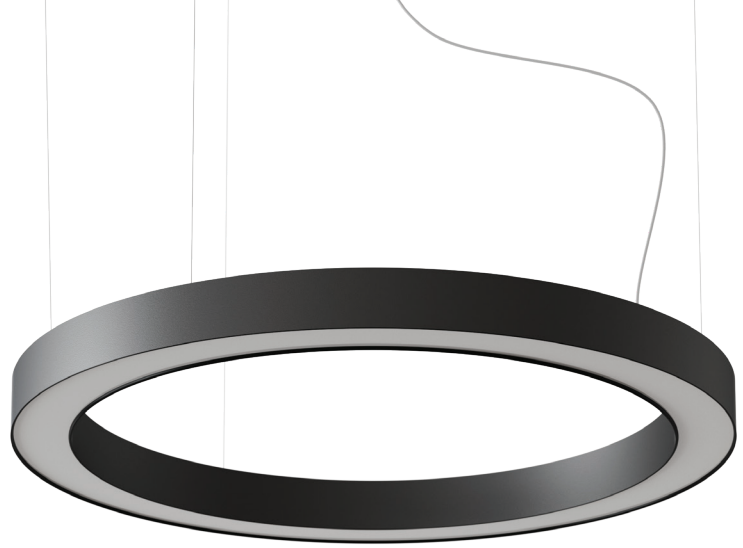
PENDANT LUMINAIRE: RAD

LIGHT SOURCE: LED\*

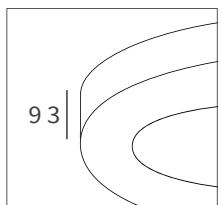
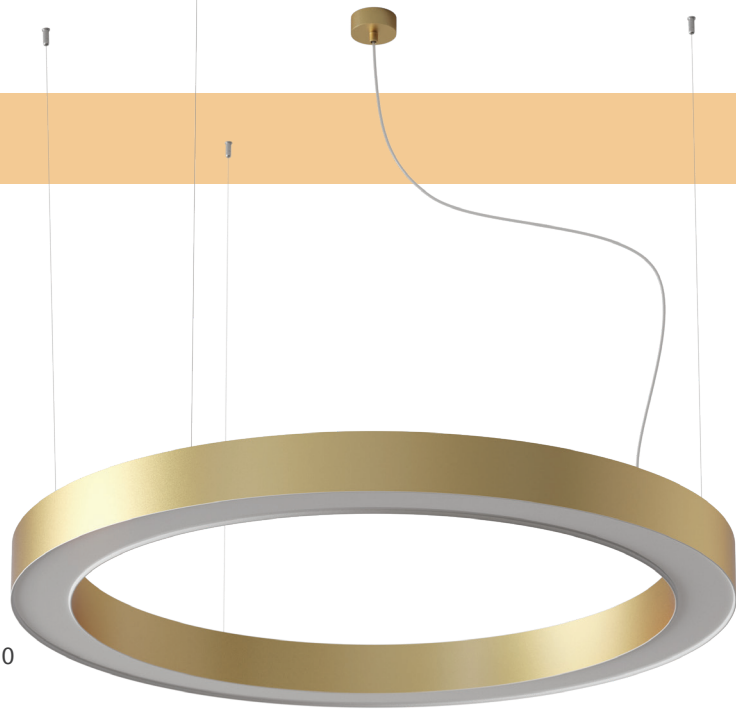
MATERIAL: STEEL

Bluetooth

\*LED PHILIPS



1500



93

100

Ø800 - Ø2000





MADE IN EU  
CLEONI

PRIVATE INTERIOR PHOTO BY:  
DESIGN BY: DANUTA PIETROWICZ EWA GÓRCZYŃSKA  
STREFA D

MADE IN EU  
CLEONI



**CBACK**

## **PEDRO** PENDANT/ DM103RA

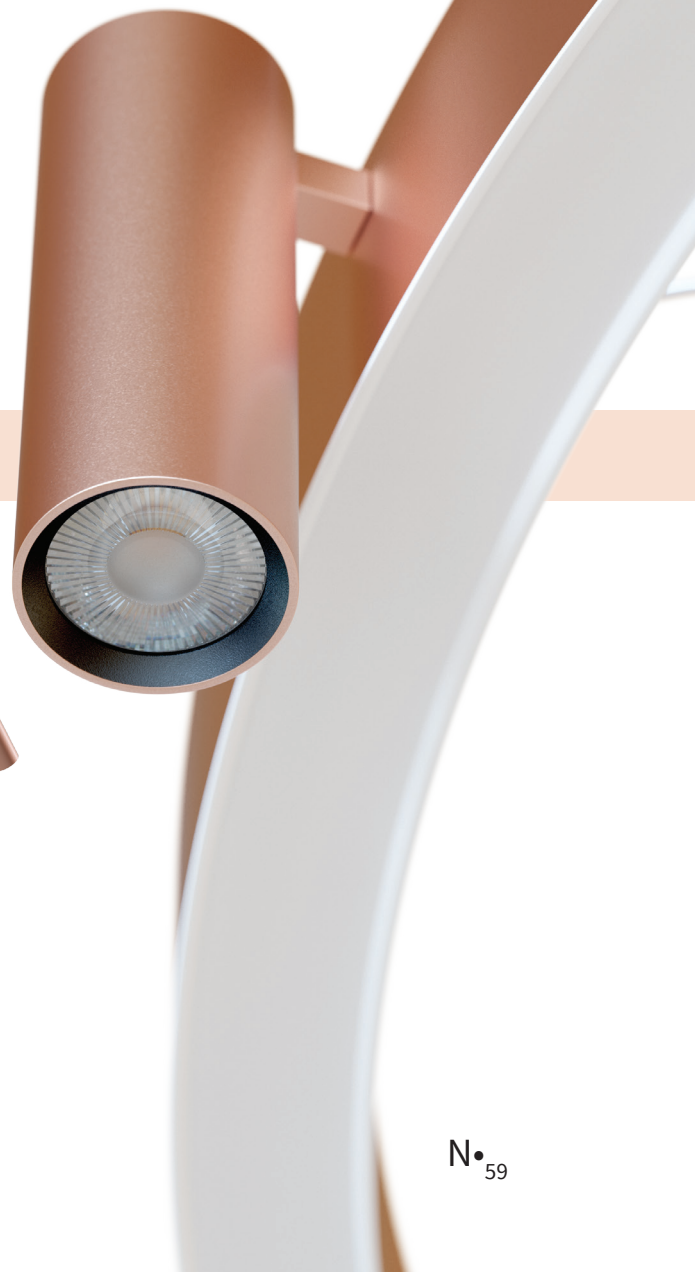
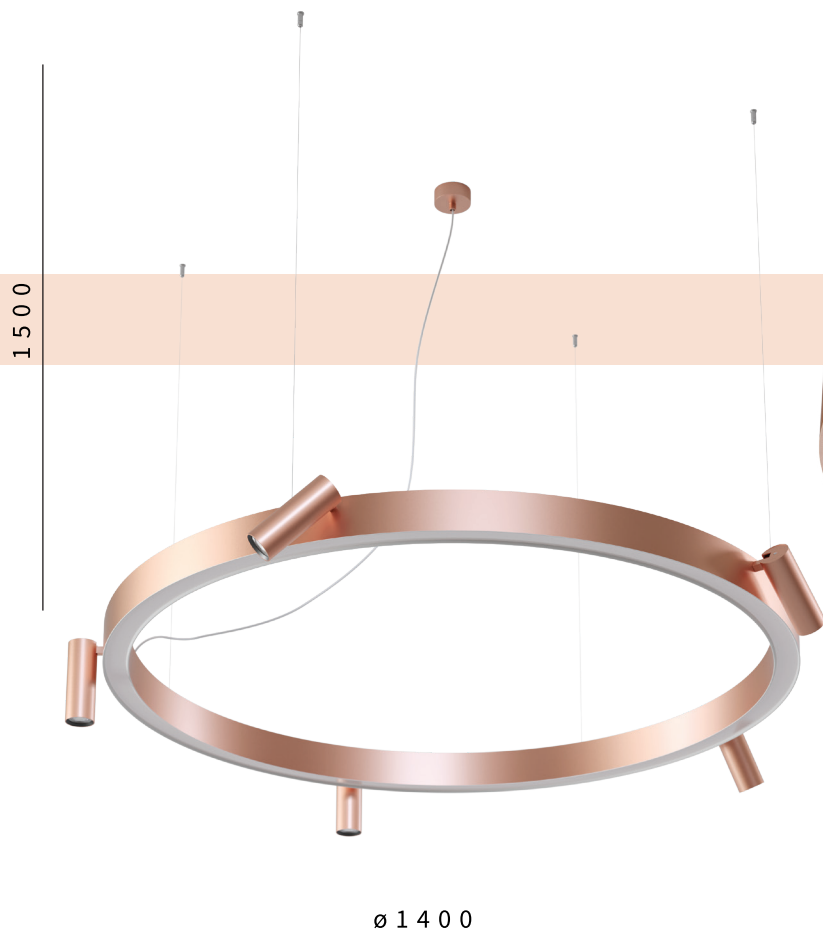
**PENDANT LUMINAIRE:** PEDRO

**LIGHT SOURCE:** LED\*, 5X PROJECTOR LED\*

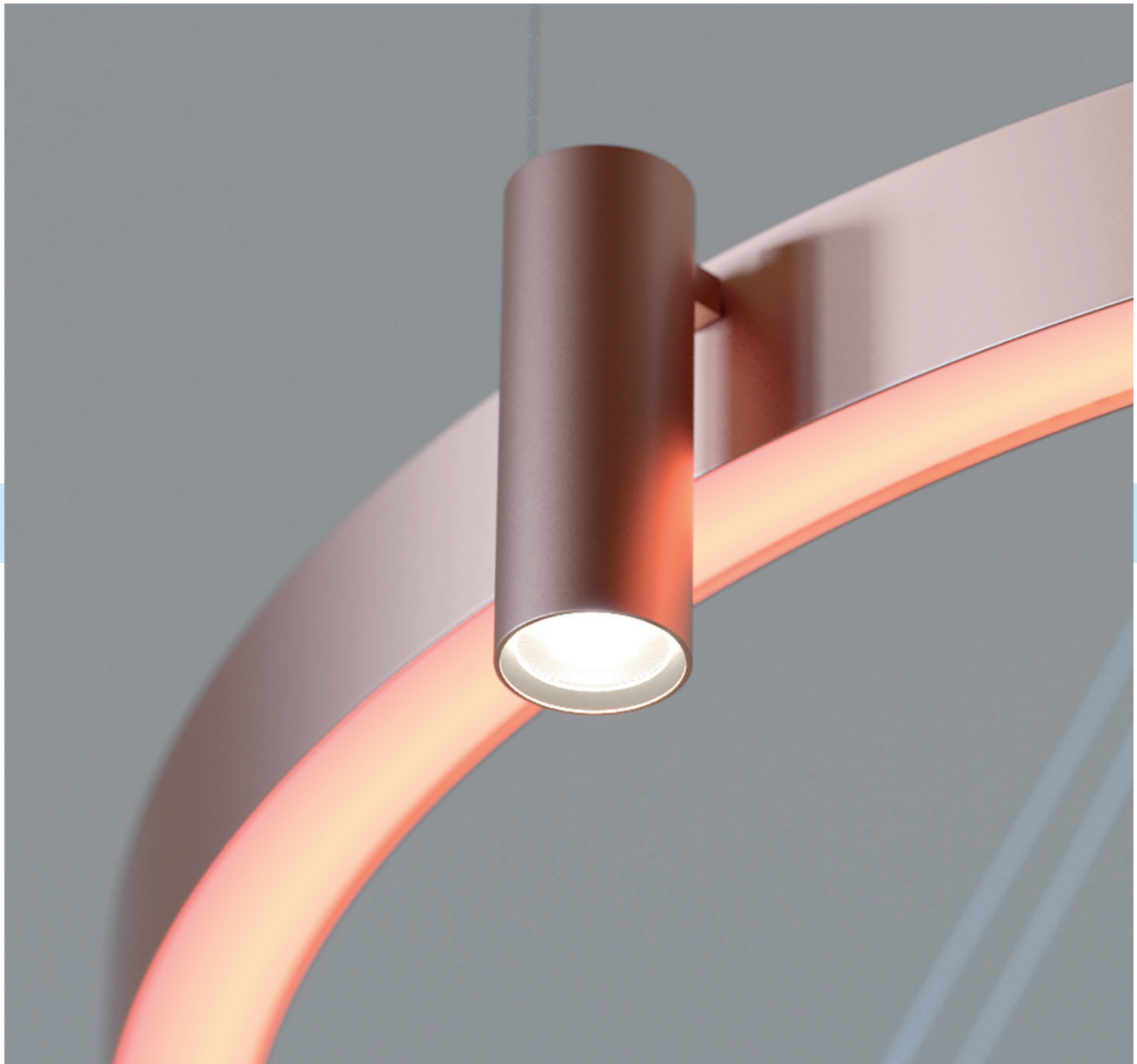
**MATERIAL:** STEEL, ALUMINIUM

**Bluetooth** 

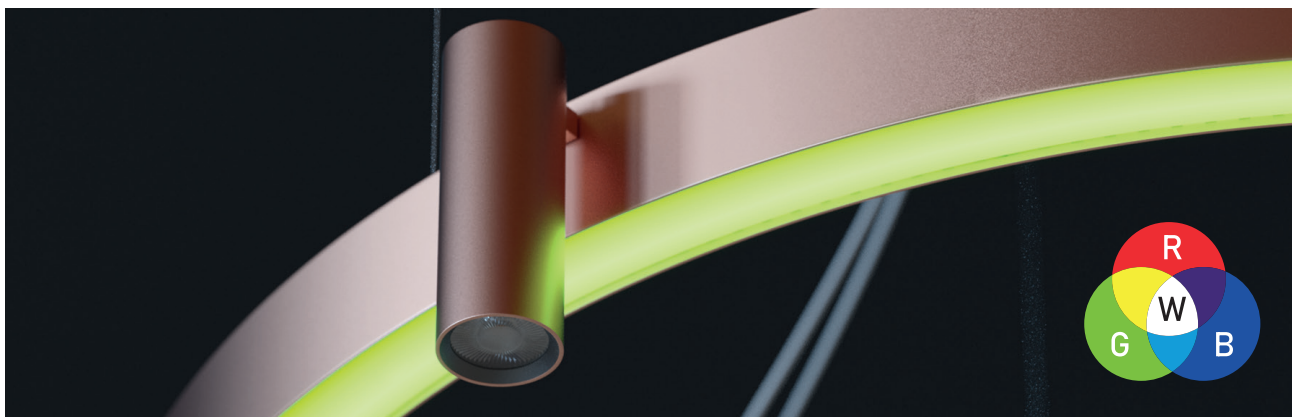
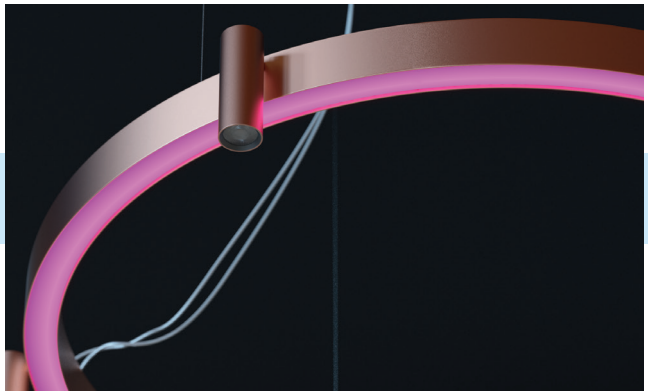
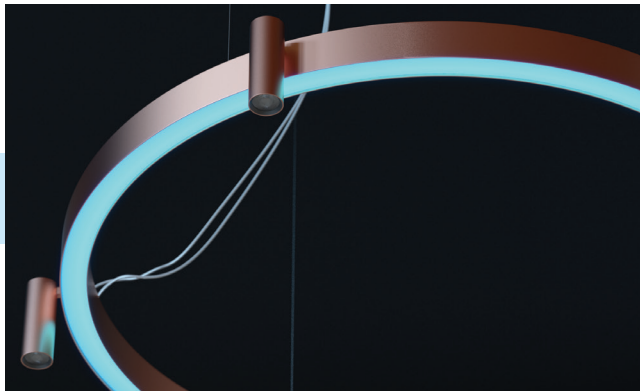
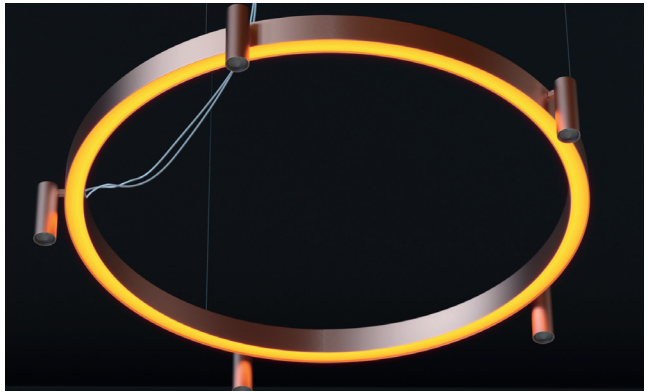
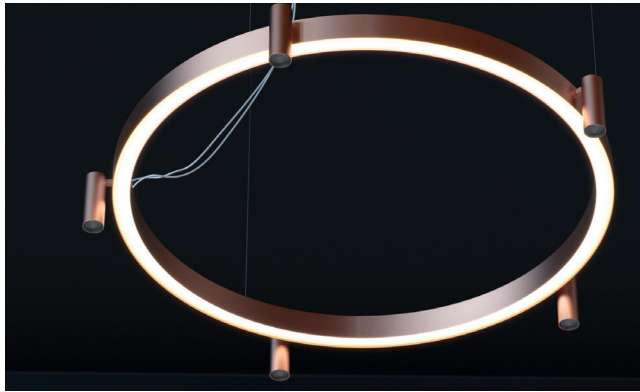
\*LED PHILIPS



MADE IN EU  
CLEONI



N•  
60



MADE IN EU  
CLEONI



INTERIOR OF THE HOTEL CAFÉ ODPOCZNIĄ PHOTO BY: AION FILM  
“RESORT I LAS” MARCIN MATYSIAK

**CBAGK**

# ALFREDO PENDANT / 1408

**PENDANT LUMINAIRE:** ALFREDO

**LIGHT SOURCE:** LED\*

**MATERIAL:** ALUMINIUM, STEEL

 **Bluetooth** 

\*LED PHILIPS

1500

Ø415 - Ø2000



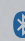

 BAEK

# ALFREDO CEILING / 1408

**CEILING:** ALFREDO

**LIGHT SOURCE:** LED\*

**MATERIAL:** ALUMINIUM, STEEL

 Bluetooth 

\* LED PHILIPS



ø 400 - ø 2000

---





MADE IN EU  
CLEONI

SHOWROOM INTERIOR  
"GOLDENMARK" WARSAW



MADE IN EU  
CLEONI



PRIVATE INTERIOR PHOTO BY:  
DESIGN BY: DANUTA PIETROWICZ EWA GÓRCZYŃSKA  
STREFA D

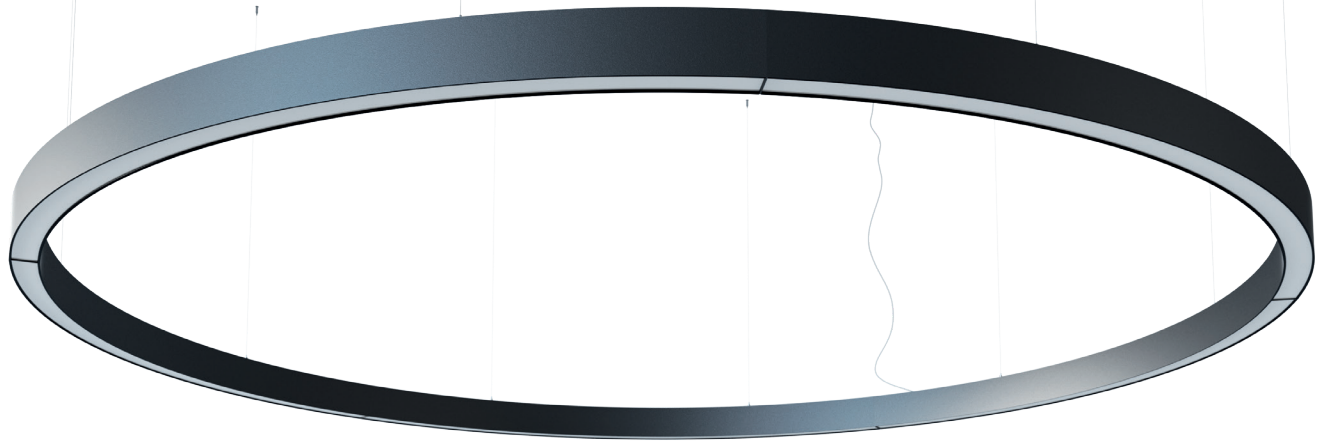


MADE IN EU  
CLEONI

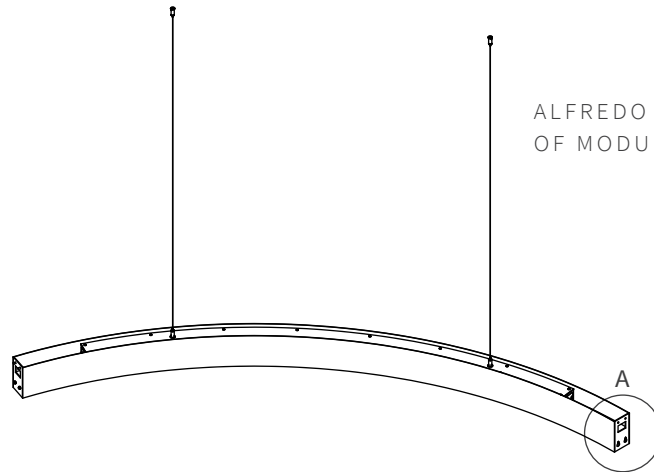
“DESIGNING IS NOT A PROFESSION BUT AN ATTITUDE...

THINKING IN RELATIONSHIPS.” LASZLO MOHOLY-NAGY

64



Ø2500 - Ø6000



ALFREDO GRANDE IS CONSTRUCTED OF MODULE ELEMENTS.

## ALFREDO GRANDE PENDANT

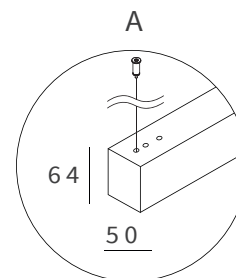
**PENDANT LUMINAIRE:** ALFREDO GRANDE

**LIGHT SOURCE:** LED\*

**MATERIAL:** ALUMINIUM

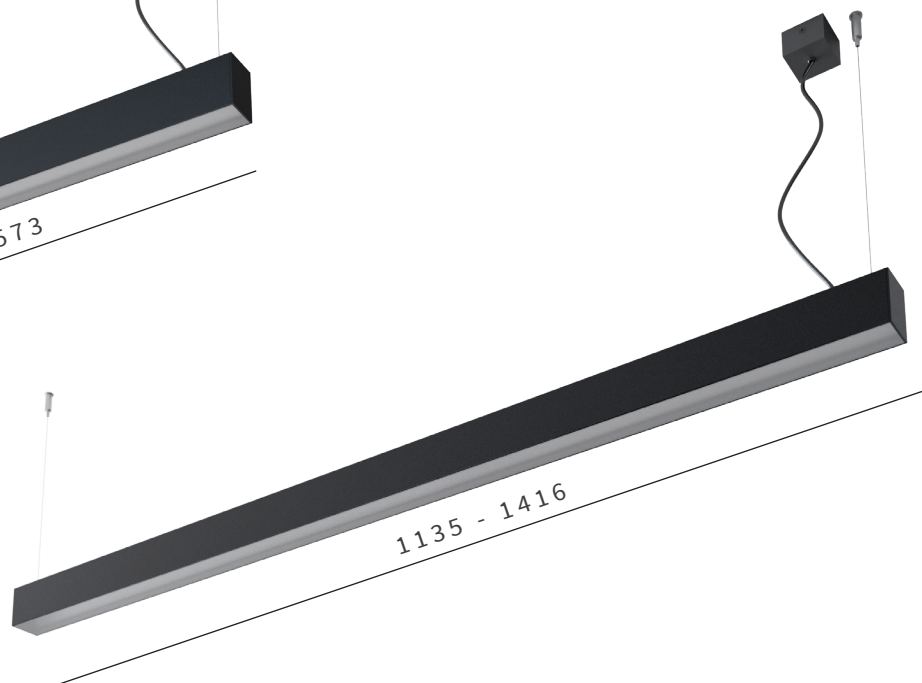
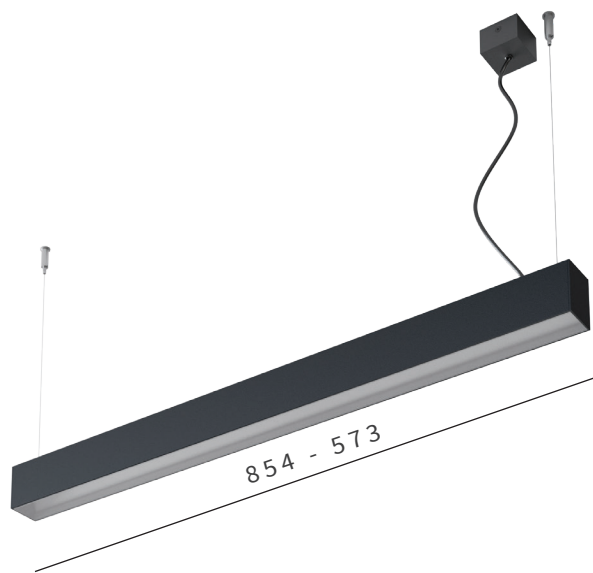
 Bluetooth 

\*LED PHILIPS





MADE IN EU  
CLEONI



## CLEOLINE - 1 PENDANT/SL105

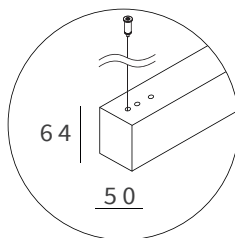
**PENDANT LUMINAIRE:** CLEOLINE-1

**LIGHT SOURCE:** LED\*

**MATERIAL:** ALUMINIUM

 Bluetooth 

\* LED PHILIPS



BACK

# CLEOLINE-S PENDANT/ SL105

PENDANT LUMINAIRE: CLEOLINE-S

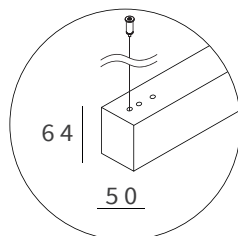
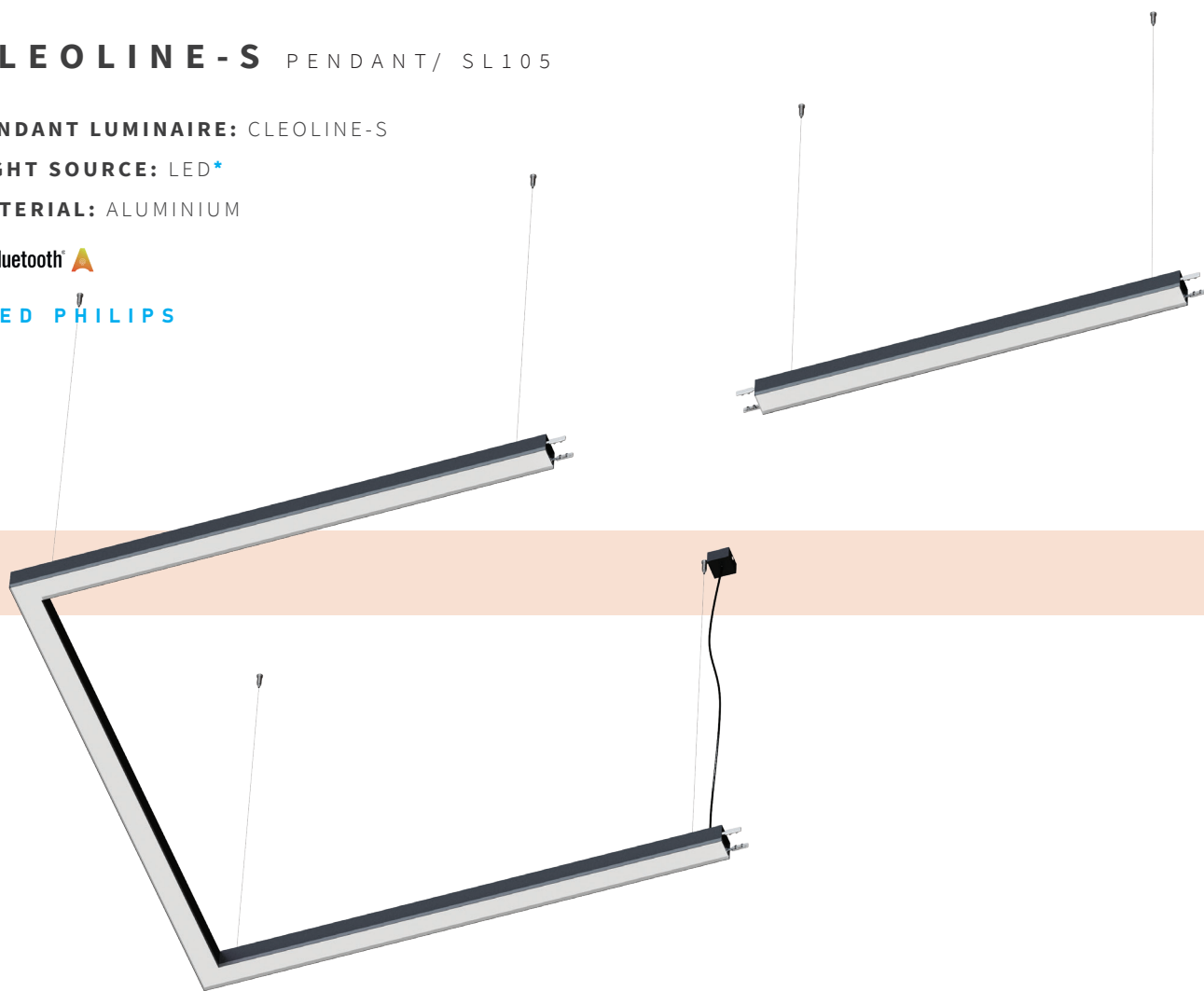
LIGHT SOURCE: LED\*

MATERIAL: ALUMINIUM

Bluetooth 

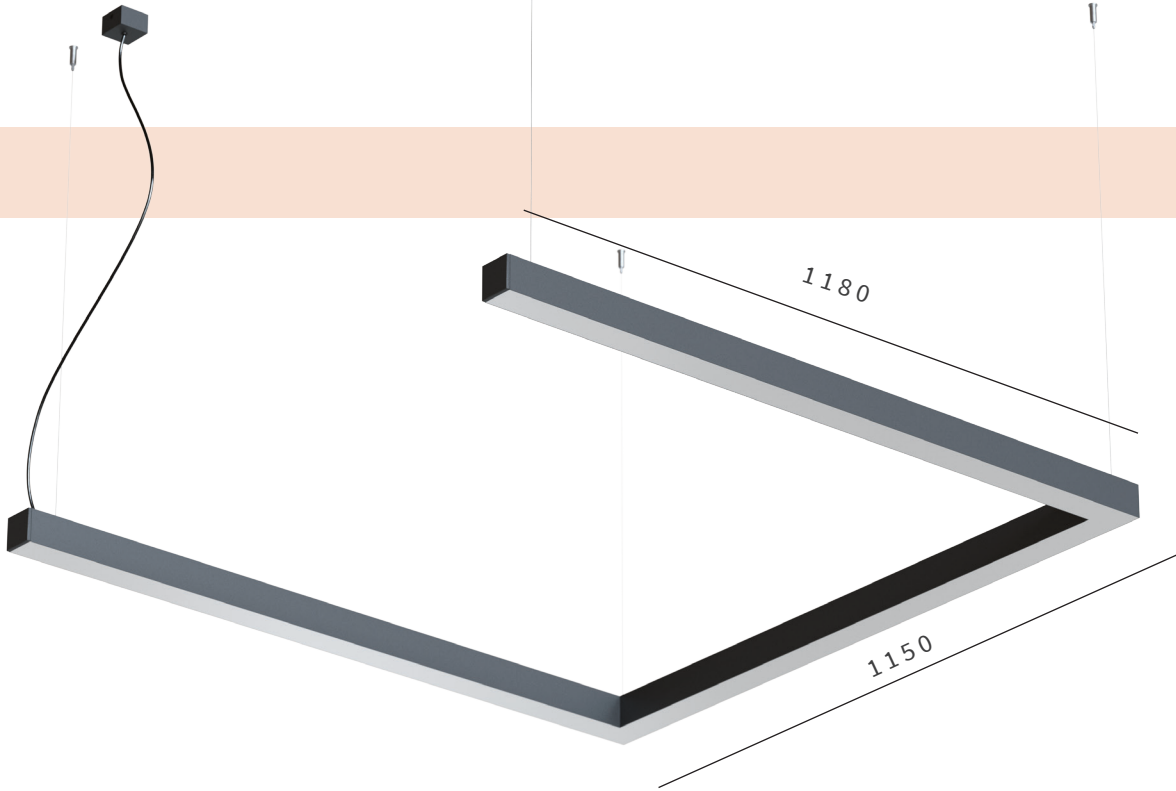
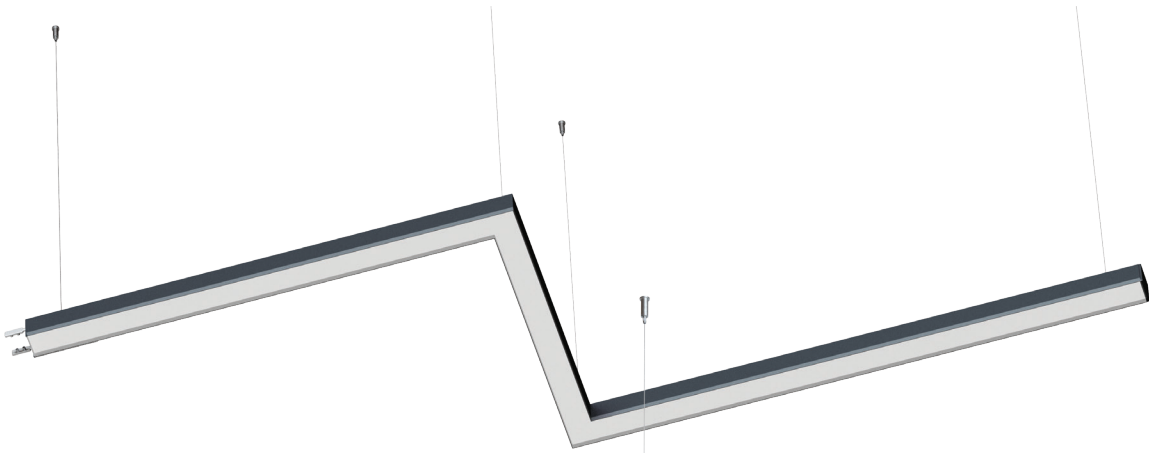
\* LED PHILIPS

MADE IN EU  
CLEONI





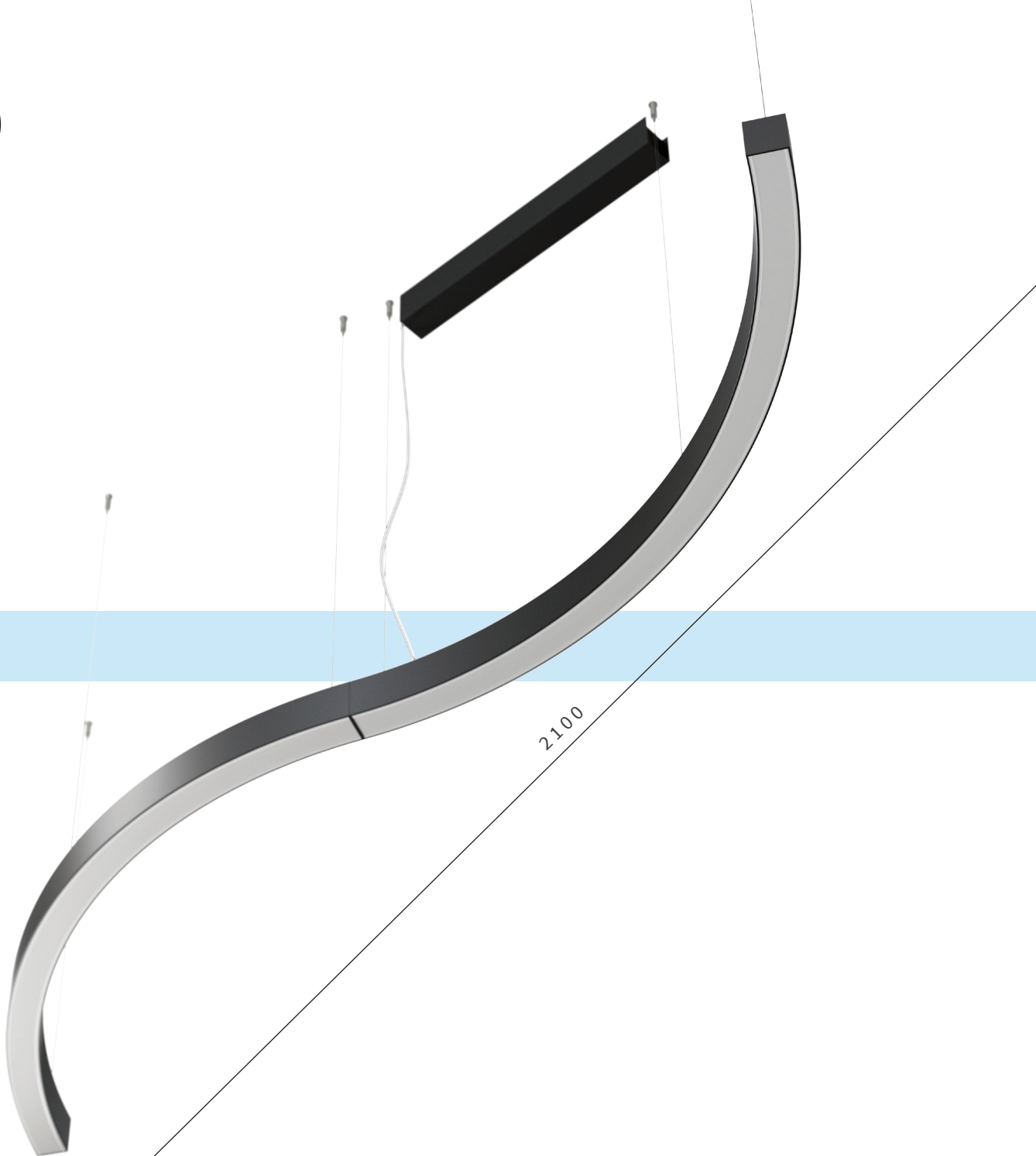
NEW



N. 73

NEW

MADE IN EU  
CLEONI



N°<sub>74</sub>

BACK

# CLEOLINE-W PENDANT

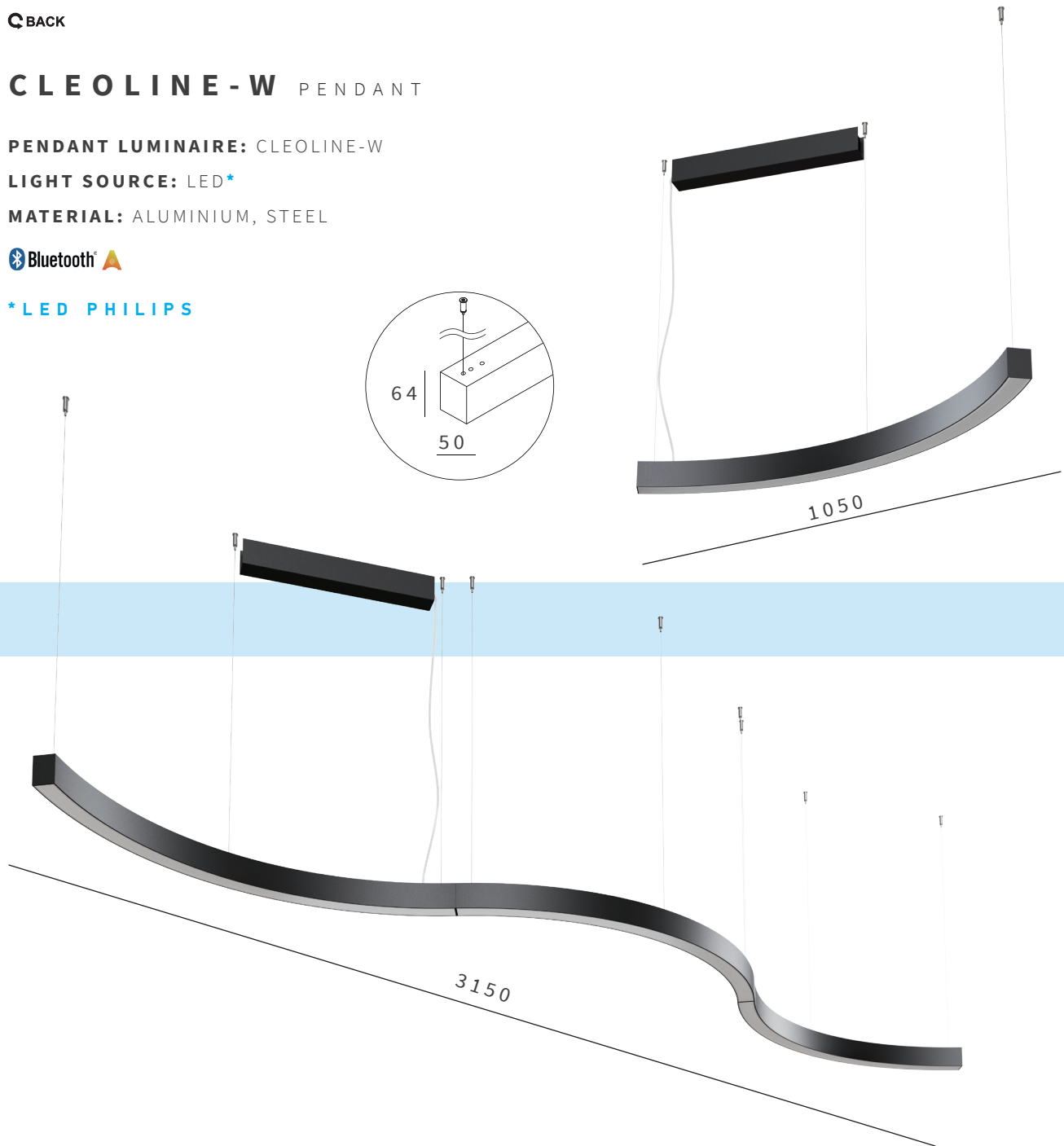
PENDANT LUMINAIRE: CLEOLINE-W

LIGHT SOURCE: LED\*

MATERIAL: ALUMINIUM, STEEL

Bluetooth 

\*LED PHILIPS



# ABA PREMIUM CEILING / 1267

**CEILING:** ABA PREMIUM

**LIGHT SOURCE:** LED\*

**MATERIAL:** STEEL



\* LED PHILIPS



Ø 600 - 1600

170





MADE IN EU  
CLEONI

LUDWIG MIES  
VAN DER ROHE

„NO DESIGN IS POSSIBLE UNTIL THE MATERIALS WITH  
WHICH YOU DESIGN ARE COMPLETELY UNDERSTOOD.“

MADE IN EU  
CLEONI



INTERIOR OF THE CONFERENCE ROOM OF THE HOTEL PHOTO BY: AION FILM  
ODPOCZNIA "RESORT I LAS" MARCIN MATYSIAK

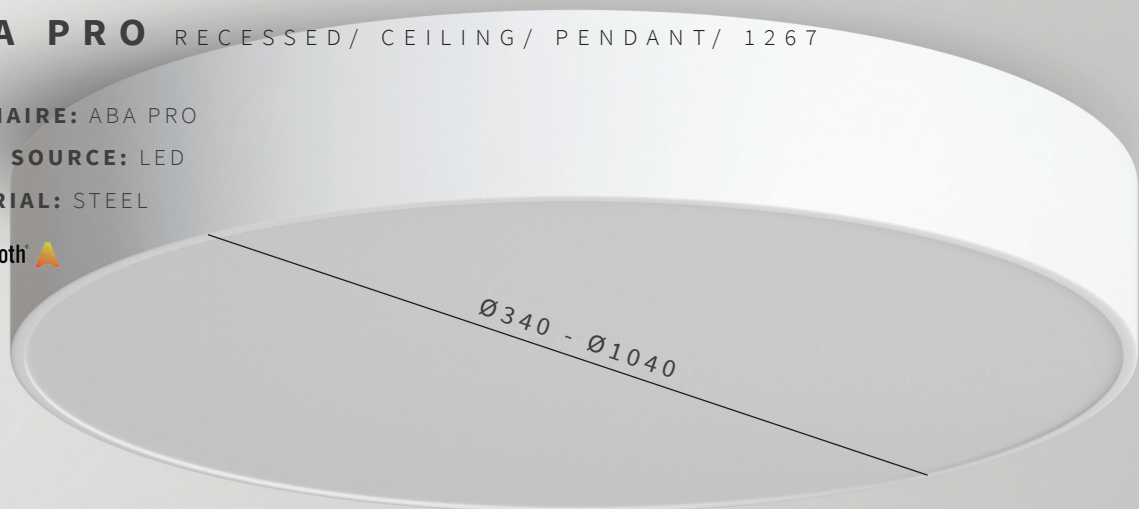
BACK

# ABA PRO RECESSED/ CEILING/ PENDANT/ 1267

LUMINAIRE: ABA PRO

LIGHT SOURCE: LED

MATERIAL: STEEL



CEILING LUMINAIRE: 1267/SL05/P

PENDANT LUMINAIRE: 1267/SL05/Z



RECESSED LUMINAIRE: 1267/SL05/W





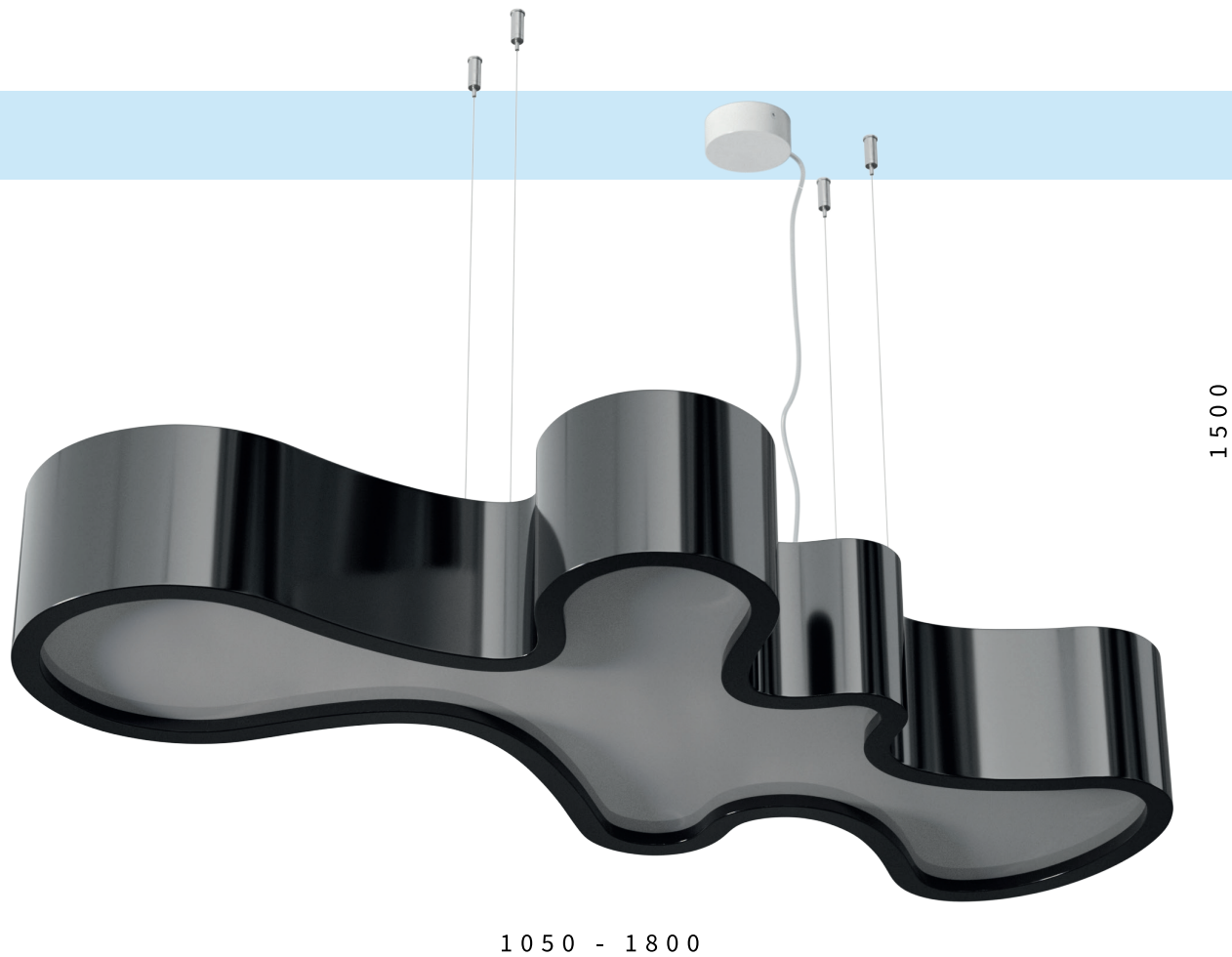
CBACK

# ATEGO PENDANT / 12391

**PENDANT LUMINAIRE:** ATEGO

**LIGHT SOURCE:** E27, LED

**MATERIAL:** VENEERED PLYWOOD, VARNISHED PLYWOOD



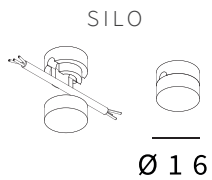
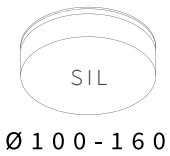
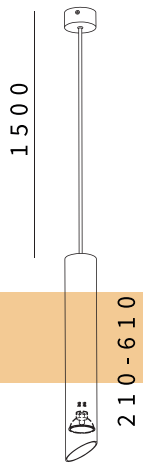
# PIXO / SIL / SILO PENDANT / T068

**PENDANT LUMINAIRE:** PIXO

**ADDITIONAL COMPONENTS:** SIL, SILO

**LIGHT SOURCE:** GU10

**MATERIAL:** ALUMINIUM





MADE IN EU  
CLEONI

“DESIGN IS LIKE GRAVITY - THE FORCE THAT  
HOLDS IT ALL TOGETHER.” EDGAR A. WHITNEY

**NER** PENDANT/T169

**PENDANT LUMINAIRE:** NER

**LIGHT SOURCE:** G9 LED

**MATERIAL:** STEEL



1500

300 - 600



MADE IN EU  
CLEONI

NER PANEL-CLEONI

WARSAW HOME EXHIBITION STAND

MADE IN EU  
CLEONI



N<sup>o</sup>. 86

HAIRDRESSING SALON INTERIOR "FEDORYSZYN" HAIRDRESSING SALON WROCLAW



NER PANEL-CLEONI

WARSAW HOME  
EXHIBITION STAND

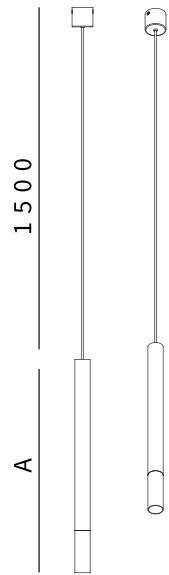
# NERON PENDANT / T174

PENDANT LUMINAIRE: NERON

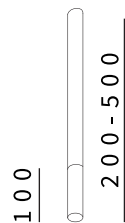
LIGHT SOURCE: G9

MATERIAL: STEEL

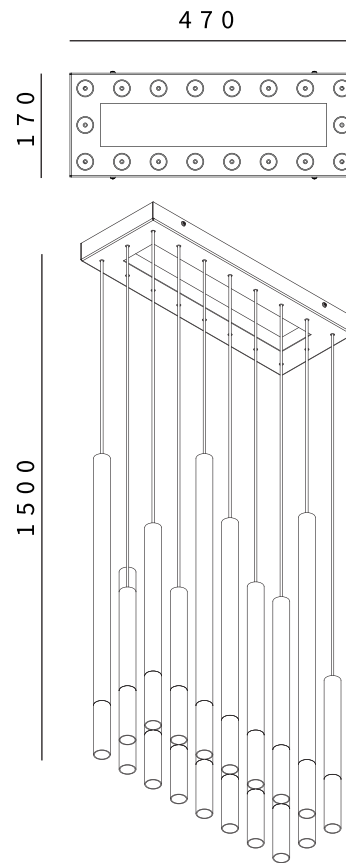
## SINGLE VERSION



ELEMENT "A"



## NERON PANEL







MADE IN EU  
CLEONI

HARRY SEIDLER „GOOD DESIGN DOESN'T DATE.”

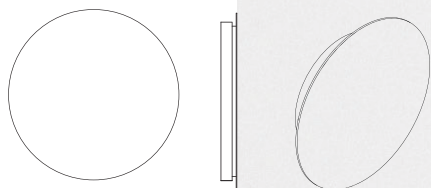
CBACK

**LAKARI** WALL LIGHT/ LA186

**WALL LIGHT:** LAKARI

**LIGHT SOURCE:** LED

**MATERIAL:** ALUMINIUM



ø 150 - ø 600

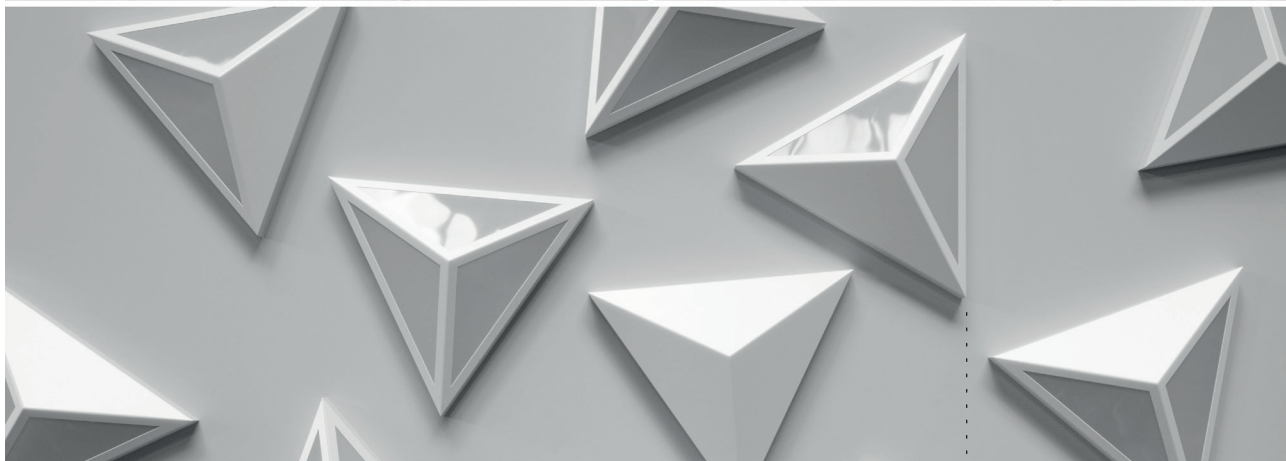
N•<sub>90</sub>



MADE IN EU  
CLEONI

RESTAURANT INTERIOR  
"BOTTIGLIERIA 1881" CRACOW

MADE IN EU  
CLEONI



N<sup>o</sup> 92

“SERISA” DESIGN BY  
ŁUKASZ WAWRZYNIAK

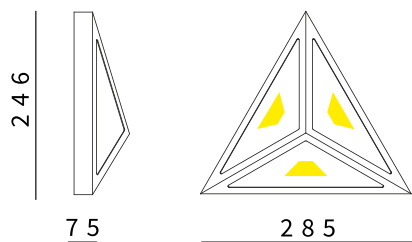
# SERISA WALL LIGHT/ LA93

**WALL LIGHT:** SERISA

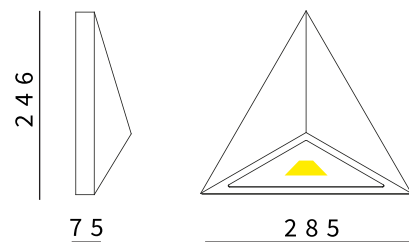
**LIGHT SOURCE:** LED

**MATERIAL:** STEEL

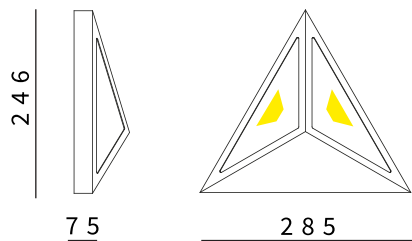
VERSION A3



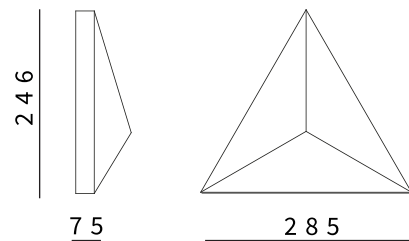
VERSION A2



VERSION A1



VERSION AP



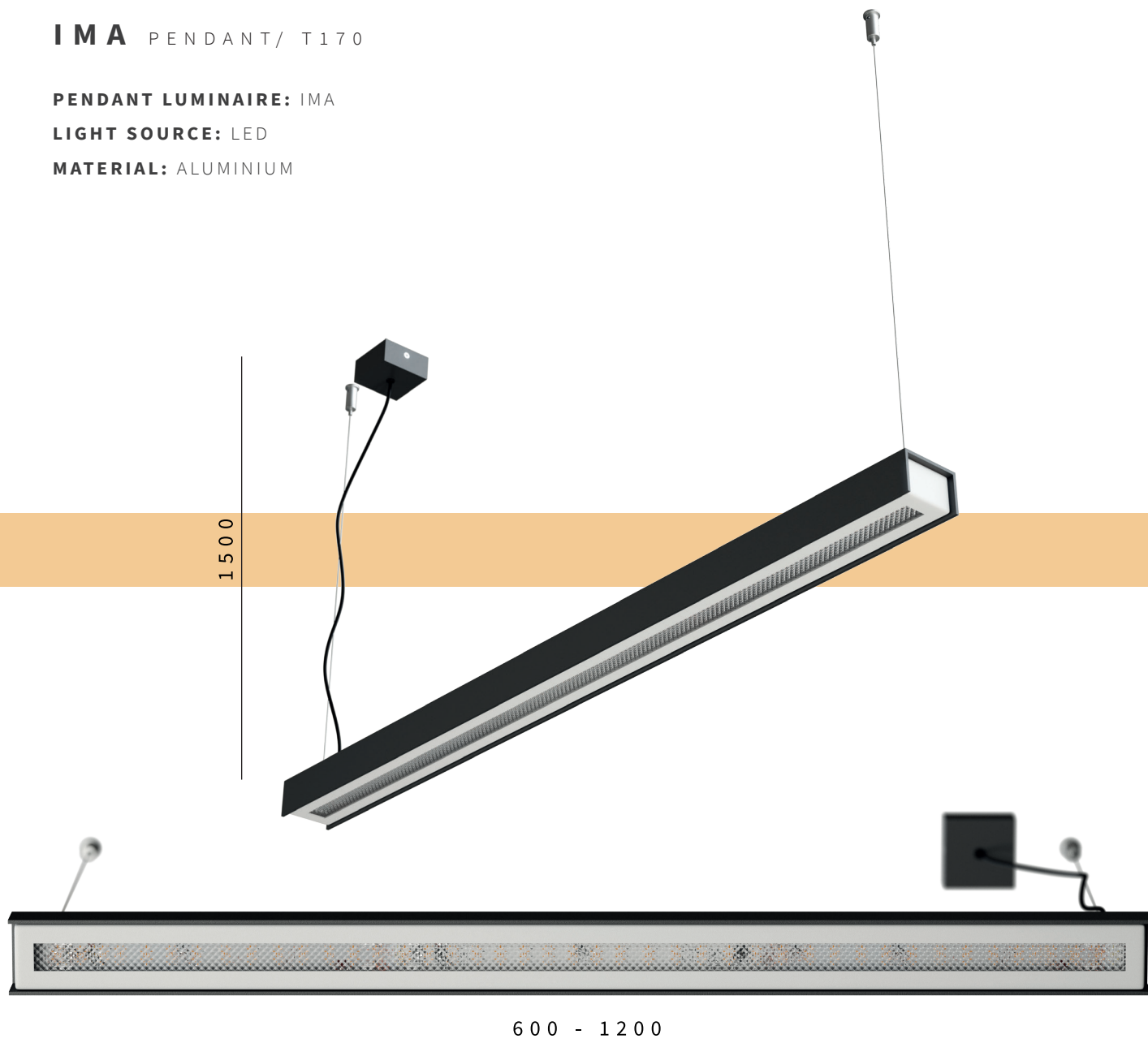
**CBACK**

# IMA PENDANT / T170

**PENDANT LUMINAIRE:** IMA

**LIGHT SOURCE:** LED

**MATERIAL:** ALUMINIUM

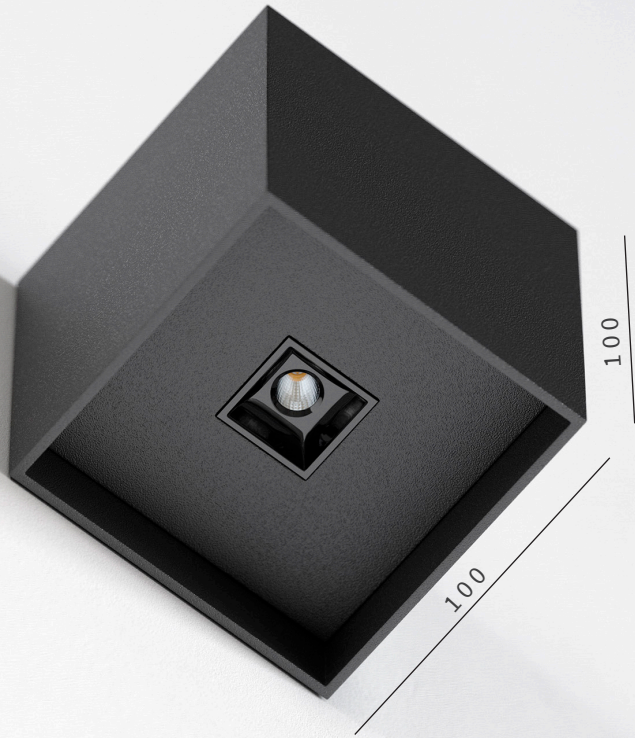




MADE IN EU  
CLEONI

“IMA” DESIGN BY  
ŁUKASZ WAWRZYNIAK

N•  
95

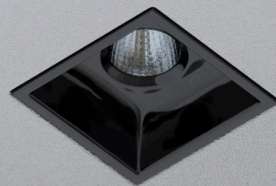


**CUBO** WALL LIGHT/ TLA32

**WALL LIGHT:** CUBO

**LIGHT SOURCE:** LED

**MATERIAL:** ALUMINIUM





NEW

MADE IN EU  
CLEONI



DONNA KARAN „DESIGN IS A CONSTANT CHALLENGE TO BALANCE COMFORT  
WITH LUXE, THE PRACTICAL WITH THE DESIRABLE.”

MADE IN EU  
CLEONI



N°<sub>98</sub>

ARIS CONCEPT FURNITURE SHOP

# ROB 80 PROJECTOR TRACK / TSL43

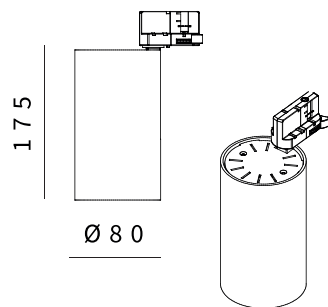
**PROJECTOR TRACK:** ROB 80

**LIGHT SOURCE:** LED\* SLM

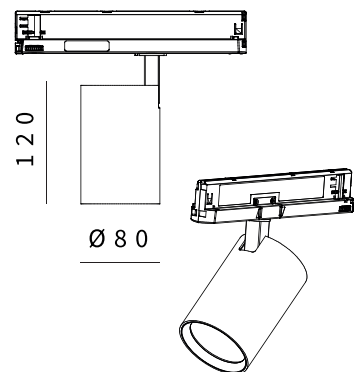
**MATERIAL:** ALUMINIUM

\*LED PHILIPS

VERSION TL



VERSION HF



# ROBEN PROJECTOR TRACK/ T218

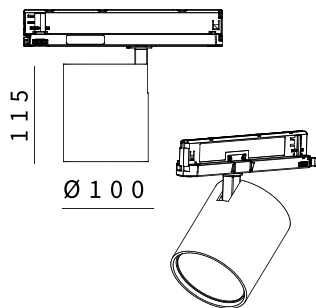
**PROJECTOR TRACK:** ROBEN

**LIGHT SOURCE:** LED\* SLM

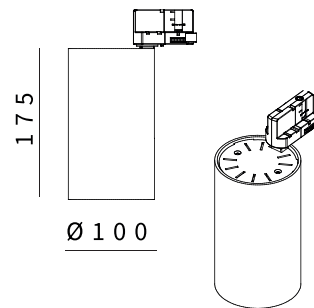
**MATERIAL:** ALUMINIUM

\*LED PHILIPS

VERSION TL



VERSION HF





MADE IN EU  
CLEONI

ARIS CONCEPT FURNITURE SHOP

N. 101



MADE IN EU  
CLEONI

# ASTOR LED SLM PENDANT TRACK / T117

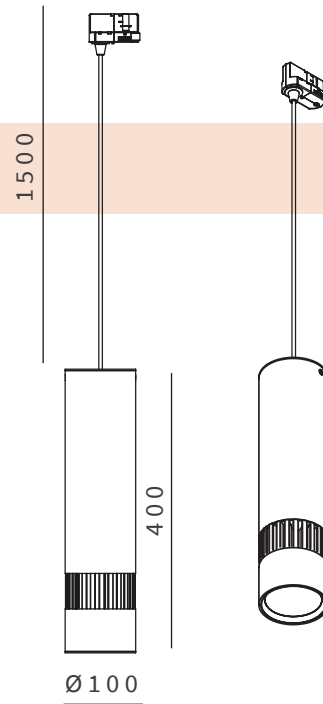
**PENDANT TRACK:** ASTOR LED SLM

**LIGHT SOURCE:** LED\* SLM

**MATERIAL:** ALUMINIUM



\*LED PHILIPS





## ASTOR LED SLM TRACK / T117

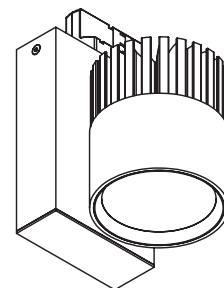
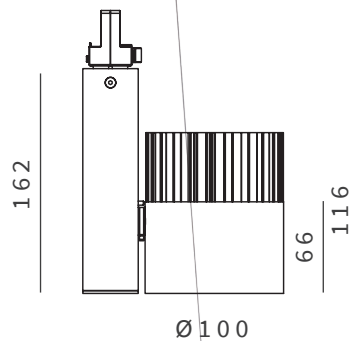
**TRACK LUMINAIRE:** ASTOR LED SLM TRACK

**LIGHT SOURCE:** LED\* SLM

**MATERIAL:** ALUMINIUM



\* LED PHILIPS







MADE IN EU  
CLEONI

THOMAS J. WATSON

„DESIGN MUST REFLECT THE PRACTICAL AND AESTHETIC  
IN BUSINESS BUT ABOVE... GOOD DESIGN MUST  
PRIMARILY SERVE PEOPLE.”

N° 105

MADE IN EU  
CLEONI



N<sup>o</sup>.  
106

GENEVIEVE GORDER

„SO, TO REALLY EXECUTE DESIGN IN ITS HIGHEST FORM  
AND MAKING PEOPLE FEEL JOY, THAT'S A GREAT REWARD.”

# ASTOR LED SLM PROJECTOR CEILING/ T117

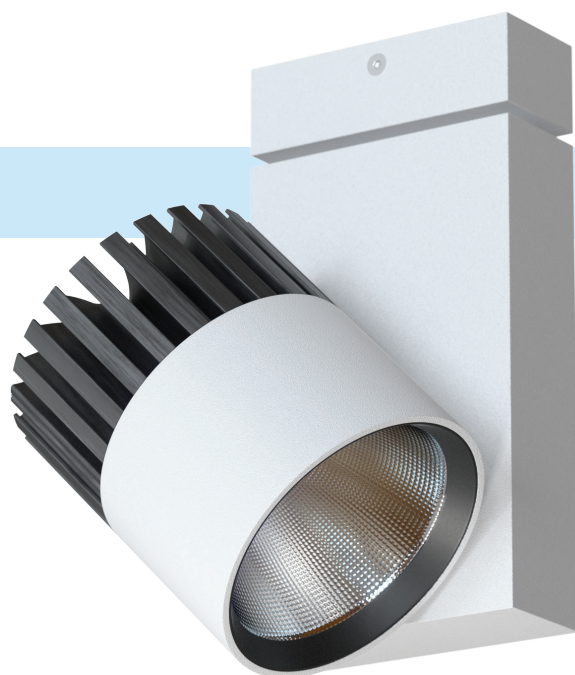
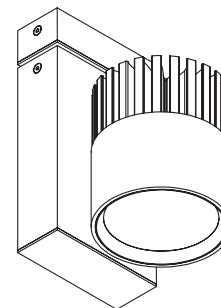
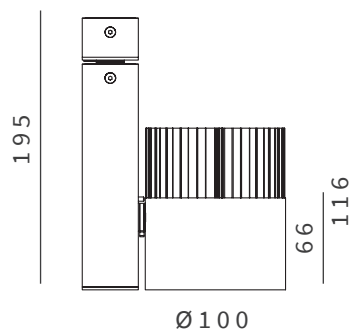
**PROJECTOR CEILING:** ASTOR LED SLM

**LIGHT SOURCE:** LED\* SLM

**MATERIAL:** ALUMINIUM



\* LED PHILIPS







## ANN LED SLM PROJECTOR TRACK/ T214

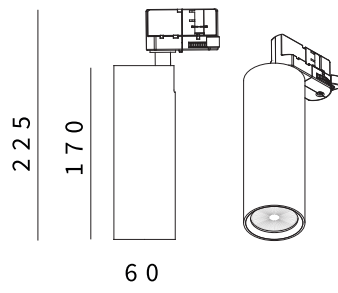
**PROJECTOR TRACK:** ANN LED SLM

**LIGHT SOURCE:** LED\* SLM

**MATERIAL:** ALUMINIUM



\*LED PHILIPS



N° 109

BACK

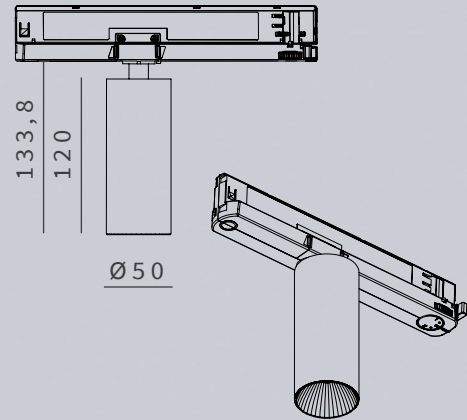
## BEN PROJECTOR TRACK/ LA227

**PROJECTOR TRACK:** BEN

**LIGHT SOURCE:** LED\* SLM

**MATERIAL:** ALUMINIUM

\*LED PHILIPS





MADE IN EU  
CLEONI

MARK PARKER

„DESIGN IS AN INTERACTIVE PROCESS.  
ONE IDEA OFTEN BUILDS ON ANOTHER.”

BACK



MADE IN EU  
CLEONI

KANYE WEST „ART IS TO BE FREE. DESIGN IS TO FIX.”

N•  
112



BACK

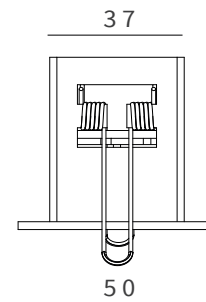


## DENON RECESSED / T191RT

**RECESSED:** DENON

**LIGHT SOURCE:** LED

**MATERIAL:** STEEL

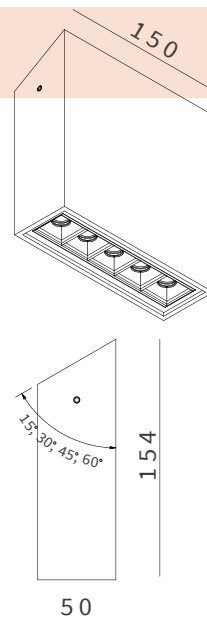
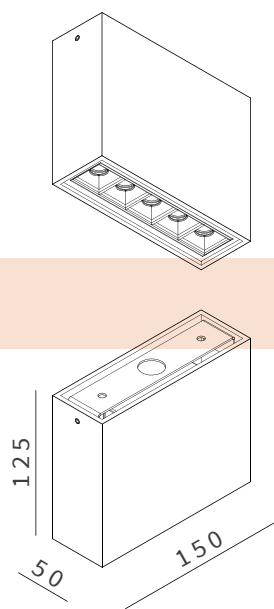


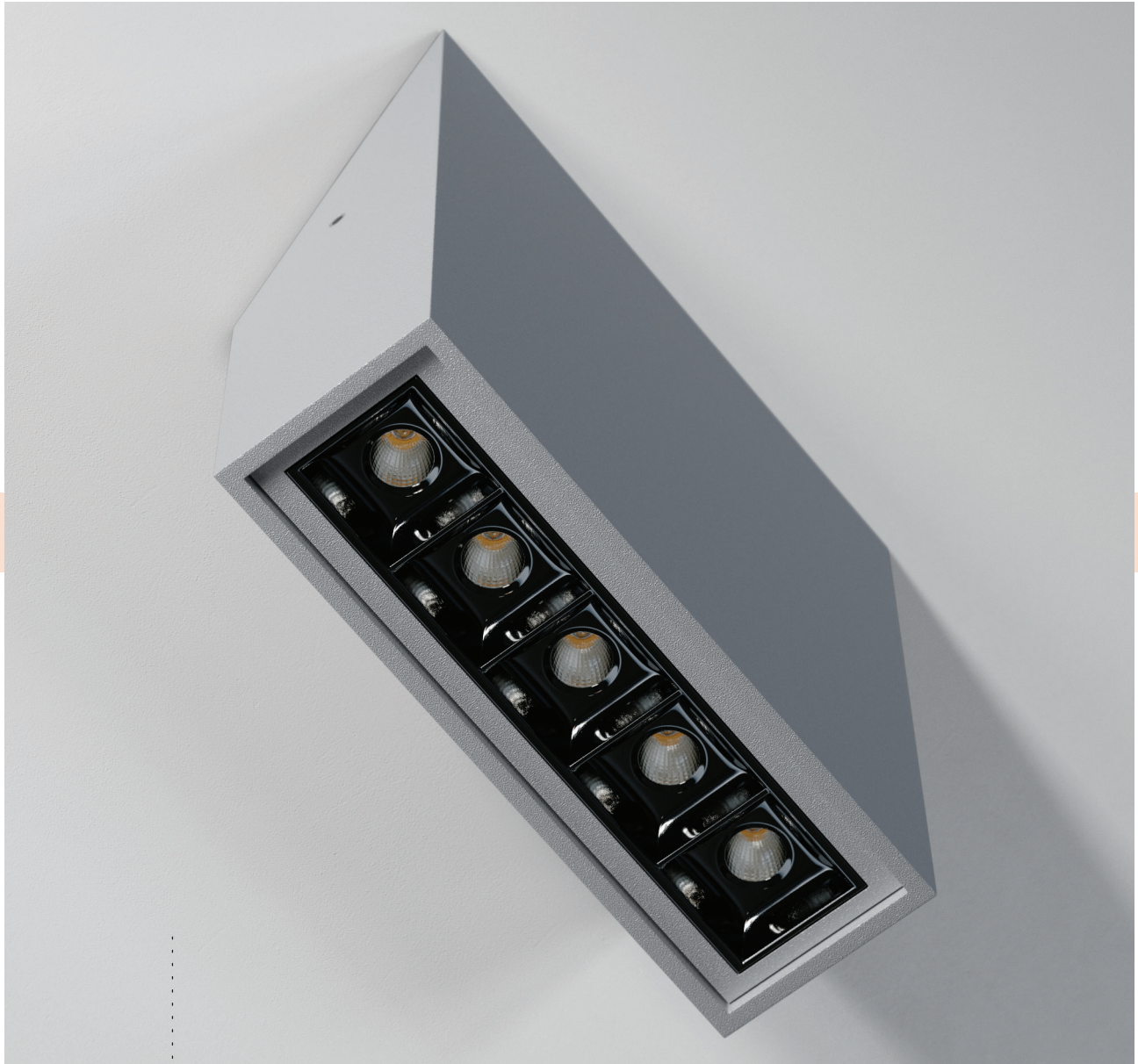
# DENON CEILING / T191/SL90

**CEILING:** DENON

**LIGHT SOURCE:** LED

**MATERIAL:** ALUMINIUM





MADE IN EU  
CLEONI

STEVE JOBS „THINK DIFFERENT”

MADE IN EU  
CLEONI



N<sup>o</sup>.  
116

INTERIOR DESIGN AND ARRANGEMENT

MARINA SUCHORSKA - INTERIOR DESIGN  
INTERIOR DESIGN STUDIO

# ATIKA, CLIO, AMI, ENZO, INTE, GEOPOL

RECESSED

**RECESSED:** ATIKA, CLIO, AMI, ENZO, INTE, GEOPOL

**LIGHT SOURCE:** LED\* SLM

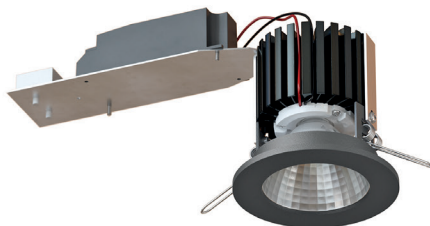
**MATERIAL:** ALUMINIUM

\*LED PHILIPS

ATIKA-LED, LED SLM



CLIO-LED SLM



AMI-LED



ENZO-LED, LED SLM



INTE-LED SLM



GEOPOL-LED, LED SLM







**CLEONI**

**UL. USŁUGOWA 19  
64-600 ROZNOWO**

**WWW.CLEONI.PL**